

PCV36E Series



40W IP67 CONSTANT VOLTAGE LED LIGHTING POWER SUPPLY



Key Features:

- Constant Voltage Driver
- Primary and secondary sides come with leads
- Built-in Active PFC
- Protections: Open circuit, short circuit, overload, over temperature
- Different mode 4kV and common mode 6kV surge immunity
- IP67 design
- Suitable for indoor and outdoor lighting applications
- SELV equivalent

PCV36E SPECIFICATION

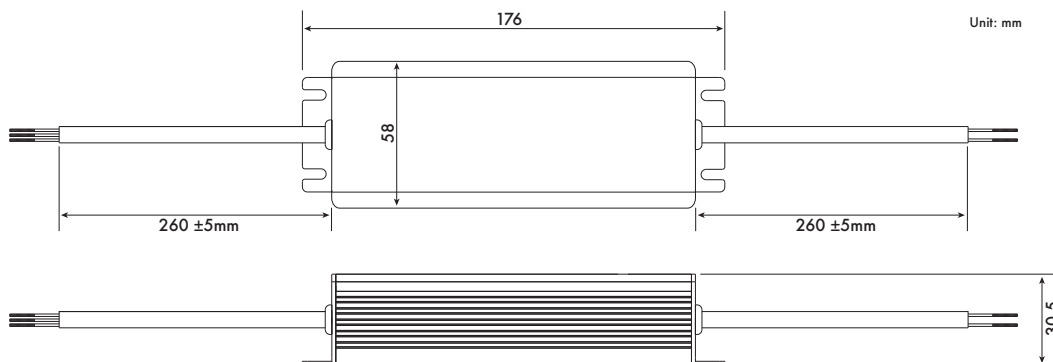
Part Code	PCV1236E	PCV2436E
Input Voltage	100V ~ 240VAC	100V ~ 240VAC
Frequency	47 ~ 63 Hz	47 ~ 63 Hz
Power Factor	0.95	0.95
No Load Power	<0.5	<0.5
Voltage	12V	24V
Current	0 ~ 3.34A	0 ~ 1.67A
Power	40W	40W
Efficiency	86%	88%
Ambient Temperature	Operating: -20~+50 °C	
Case Temperature (Max.)	80 °C	
Safety Standard	Designed to meet EN61347-1, EN61347-2-13	
EMI Standard	Meets Emissions to EN 55015, EN61547, EN61000-3-2, EN 61000-3-3	
Lifetime	50K hours full load 25 °C	
Weight	500g	500g
Dimensions	176 x 58 x 30.5mm	176 x 58 x 30.5mm

REVA



CB CE IP67

Mechanical



PowerLed (UK) Ltd
Orion House
Calleva Park
Aldermaston
Berkshire
RG7 8SN

Contact:
Tel: 0118 9703856
enquiries@powerled.uk.com
www.powerled.uk.com

