

PCC60 Series



60W IP20 CONSTANT CURRENT LED LIGHTING POWER SUPPLY



Key Features:

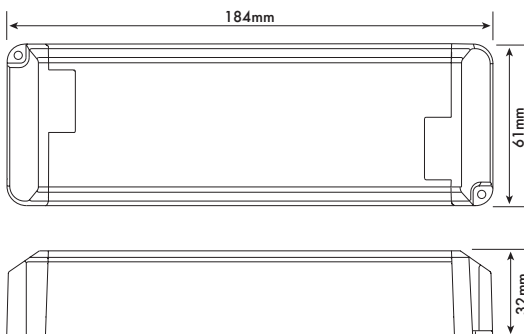
- High power factor
- Constant current mode power supply
- 100-240V AC input
- Captive terminal screws for ease of connection
- Screw lock cable strain relief for quick installation
- Short circuit, over load, over temperature protections
- Class II product
- Cooling by free air convection
- SELV Equivalent

PCC60 SPECIFICATION

Part Code	PCC105060	PCC140060
Voltage	100V ~ 240VAC	100V ~ 240VAC
Inrush	<15.5A/230VAC <8A/115VAC	<16.5A/230VAC <7.5A/115VAC
Frequency	50 ~ 60 Hz	50 ~ 60 Hz
Power Factor	0.95	0.95
Voltage	35-57V	26-43V
Current	1050mA	1400mA
Power	60W	60W
R&N	250mA	300mA
Efficiency (TYP.)	85%	85%
Over Load	105 ~ 135% rated output power	
Over Temperature	Thermal shutdown	
Setup Time	<2s	
Temperature	Operating: -20 ~ +50 °C ; Storage: -20 ~ +80 °C	
Safety Standard	Design refers to EN61347-1:2008, EN61347-2-13:2001, 2006+A1: 2011	
Emissions	Compliance to EN61000-3-2, EN61000-3-3, EN55015	
MTBF	50K hrs min. MIL-HDBK-217F (25 °C)	
Connections	Screw terminal on I/P & O/P	
Weight	300g	300g
Dimensions	184 x 61 x 32mm	184 x 61 x 32mm



Mechanical



PowerLed (UK) Ltd
Orion House
Calleva Park
Aldermaston
Berkshire
RG7 8SN

Contact:
Tel: 0118 9703856
enquiries@powerled.uk.com
www.powerled.uk.com

