

PCC 18TD Series

18W Triac Dimming LED Lighting Power Supplies



Case: 8917HR
130 x 44 x 28 mm

Features

- Constant current mode power supply
- 220-240V AC input
- 1-100% Triac dimming function
- Captive terminal screws for ease of connection
- Screw lock cable strain relief for quick installation
- Short circuit, over load, over temperature protections
- Class II product
- Cooling by free air convection
- Leading and trailing edge operation
- SELV Equivalent
- Low inrush current <2A

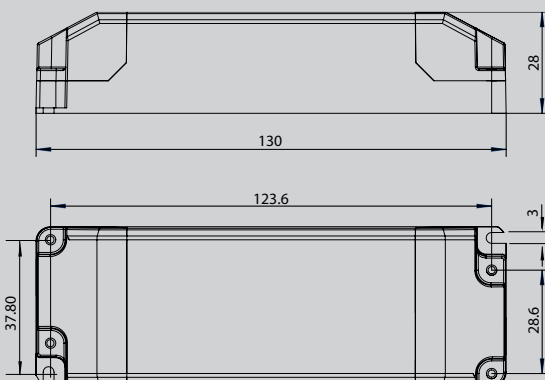


Specification

INPUT	Inrush	<1.2A			
	Voltage	220V ~ 240VAC			
	Frequency	50 ~ 60 Hz			
	Power Factor	0.95			
OUTPUT	MODEL No.	PCC105018TD	PCC70018TD	PCC50018TD	PCC35018TD
	Voltage	9-18V	13-26V	18-36V	26-52V
	Current	1050mA	700mA	500mA	350mA
	Power	18W	18W	18W	18W
	Efficiency (TYP.)	76%	78%	80%	82%
PROTECTION	Over Load	100~135% rated output power			
	Over Temperature	Thermal shutdown			
ELEC. CHAR.	Dimming Control	1~100%, Triac controlled			
	Setup Time	<2s			
ENVIRONMENT	Temperature	Operating: -20 ~ +40°C (on PCC50018TD); Storage: -20~ +80°C			
SAFETY	Safety Standard	Design refers to EN61347-1:2001, EN61347-2-13:2001			
EMC	EMC	Compliance to EN55015, EN61547			
OTHERS	M.T.B.F.	90K hrs min. MIL-HDBK-217F (25°C)			
	Packing	N.W.:0.15Kg / 1pc; 20pcs / 13.6Kgs 0.51CUFT / 1 CTN			

1. All parameters NOT specially mentioned are measured at 230VAC input, rated load and 25°C of ambient temperature.
2. Ripple & noise are measured at 20MHz of bandwidth by using a 12" twisted pair-wire terminated with a 0.1uf & 47uf parallel capacitor.
3. Tolerance : includes set up tolerance, line regulation and load regulation.
4. Derating may be needed under low input voltage. Please check the static characteristics for more details.
5. The power supply is considered a component that will be operated in combination with final equipment. Since EMC performance will be affected by the complete installation, the final equipment manufacturers must re-qualify EMC Directive on the complete installation.
6. Length of set up time is measured at first cold start. Turning the power supply ON/OFF may lead to increase of the set up time.
7. Suitable for indoor use only.

Dimensions



LED Configuration

