

ICON-BOX Waterproof Junction Box ~ with terminal block 5 poles



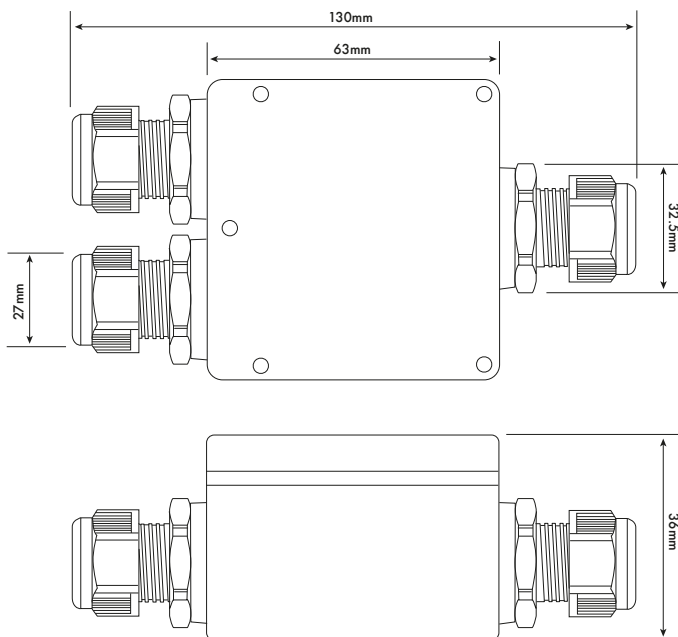
- 3 Way 5 pole Connector
- IP68 at 2 bar
- Termination: Screw Fixing
- Wire Cable Specification ~ \varnothing 5mm (min) / \varnothing 14mm (max)
- 3 year warranty

ICON-BOX SPECIFICATION

Model Number	ICON-BOX
Fitting Colour	Black/Clear
Housing	Polyamide PA66, UL94-V0
Sealing Gasket	Silicon
Contact	Copper, Nickel Plated
Technical	250V, PTI 250, T85
Dimensions	72 x 63 x 36mm (overall length ~ 130mm)



Mechanical Diagram



Tube-Cable gland body	
2.5 Nm \varnothing 30	
Tube-Cable gland body nut	
2.5 Nm \varnothing 24	
H07RN-F Cable	
Min.	Max.
3G0.75mm ²	3G4.0mm ²

PowerLed (UK) Ltd
Orion House
Calleva Park
Aldermaston
Berkshire
RG7 8SN

Contact:
Tel: 0118 9703856
enquiries@powerled.uk.com
www.powerled.uk.com

