



Declaration of Conformity

We PowerLed (wholly owned subsidiary of Sunpower Group Holdings Ltd) of Orion House, Calleva Park, Aldermaston, Berkshire, RG7 8SN, UK declare under our responsibility that our product BLE-DIM is herewith confirmed to comply with the requirements set out in the UK legislation, Electromagnetic Compatibility Regulations 2016, and the European Council Directive on the Approximation of the Laws of the Member States relating to Electromagnetic Compatibility Directive (2014/30/EU).

Friday 30th October 2020.

Mark Ellis
Quality Manager

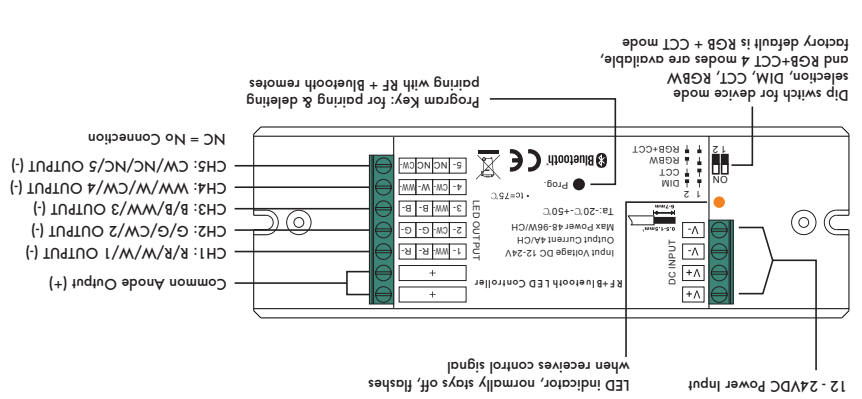


Registered in England: No. 9436662
Registered Office: Orion House, Calleva Park, Aldermaston, Berkshire, RG7 8SN



BLE-DIM RF & Bluetooth LED controller

BLE-DIM RF & Bluetooth LED controller instructions



Product Data

- 4 in 1 universal RF+Bluetooth LED controller, radio frequency: 2.4GHz
- 4 different device modes DIM, CCT, RGBW and RGB+CCT in 1 controller, and selectable by dip switch
- Enables to control ON/OFF, dimming, color temperature, RGB color of connected LED lights
- Ultra powerful to control Single Color, CCT, RGBW, RGB+CCT LED strips
- Controlled through both smart App and remote controls, no gateway required
- Easy & quick pairing to the smart App by scanning QR code
- Mesh network, much longer control distance, transmits received signal to neighbor devices
- Up to 30m transmission distance between every two neighbour devices
- Encrypted two-way communication, quick status feedback, safe & reliable data transmission
- Compatible with universal RF+Bluetooth remotes, each LED controller can pair to max. 8 remotes
- IP Rating: IP20

Input Voltage	Output Current	Output Power	Remarks	Size (LxWxH)	Ambient Temperature	Max. Casing Temperature
12.24VDC	4A/CH	48.96W/CH	Constant Voltage	145x46.5x16mm	-20°C ~ +50°C	75°C

Product Data

Safety & Warnings

- DO NOT install with power applied to device.
- DO NOT operate the dial switches for device mode selection with power applied to device.
- DO NOT expose the device to moisture.

www.powerled.uk.com

BLE-DIM RF & Bluetooth LED controller instructions



Operation

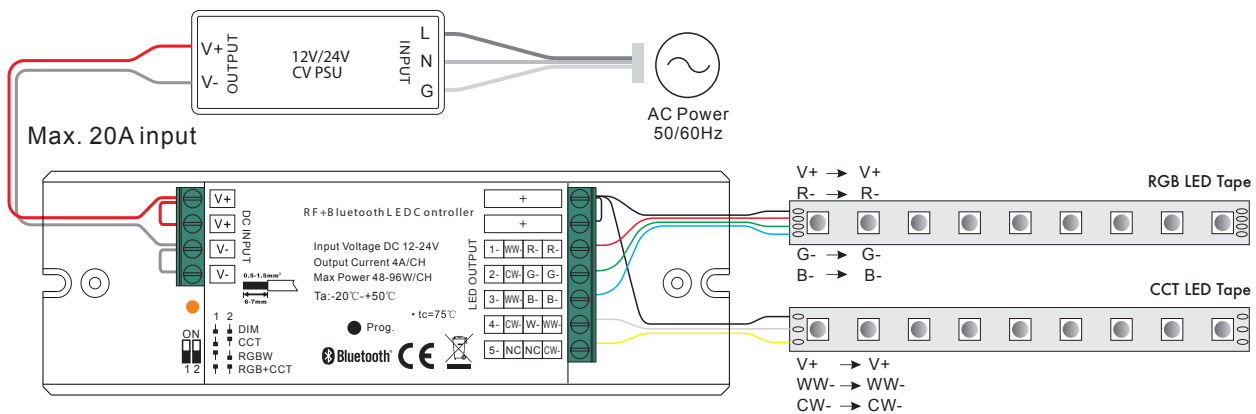
1. Do wiring according to connection diagram
2. Pair LED controller with RF + Bluetooth remote: Please refer to the installation of the remote you would like to pair with.
3. Delete the pairing:
 - Wire up the LED controller diagram.
 - Press and hold the 'Prog' button on the controller for over 3 seconds until the connected light flashes, which means deleted.

Pair with Smart App

1. Do wiring according to connection diagram.
2. Please refer to the 'Easy things' App user manual for details of adding the device.

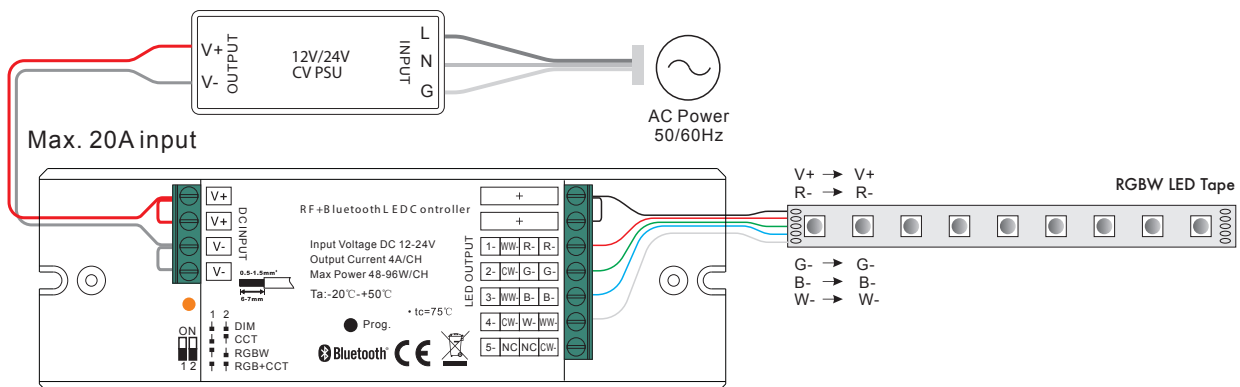
Wiring Diagram

1. RGB+CCT Mode



Note: Please make sure the dial switches are in position for RGB+CCT mode as shown in above diagram.

2. RGBW Mode



Note: Please make sure the dial switches are in position for RGBW mode as shown in above diagram.