



Declaration of Conformity

We PowerLed (wholly owned subsidiary of Sunpower Group Holdings Ltd) of Orion House, Calleva Park, Aldermaston, Berkshire, RG7 8SN, UK declare under our responsibility that our product J LINE is herewith confirmed to comply with the requirements set out in the UK legislation, Electromagnetic Compatibility Regulations 2016, and the European Council Directive on the Approximation of the Laws of the Member States relating to Electromagnetic Compatibility Directive (2014/30/EU).

Wednesday 8th June 2016.

Mark Ellis
Quality Manager



Registered in England: No. 9436662
Registered Office: Orion House, Calleva Park, Aldermaston, Berkshire, RG7 8SN

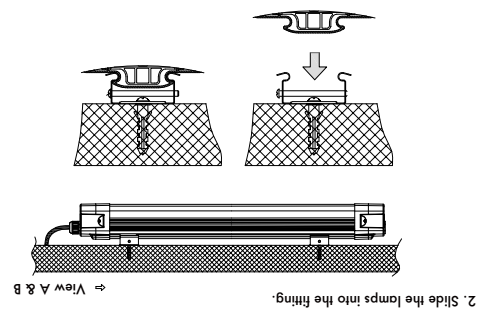
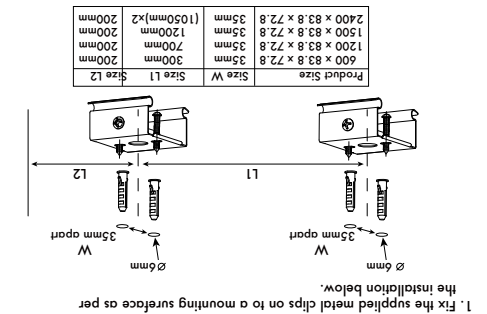
REVO-IP REV-D LED Batten



ENERGY	
PowerLed REVO-IP-REV-D	
A++	 A++ LED
A+	
A	
B	
C	
D	
E	
This luminaire contains built-in LED lamps.	
The lamps cannot be changed in the luminaire.	
This luminaire can be switched on & off a minimum of 25,000 times.	
22-60 kWh/1000h	

ENERGY	
PowerLed REVO-IP-REV-D	
A++	 A++ LED
A+	
A	
B	
C	
D	
E	
This luminaire contains built-in LED lamps.	
The lamps cannot be changed in the luminaire.	
This luminaire can be switched on & off a minimum of 25,000 times.	
22-60 kWh/1000h	

Installation Instructions



Warning! Before commencing installation or maintenance ensure electricity is switched off at the mains. This luminaire should be installed by a qualified electrician. Warning! The safety of this LED Batten is guaranteed only if the instructions are properly respected. It is therefore necessary to keep them safe. Modification of this product will void any warranty.

Power	Connection Quantity
100W	12PCS
60W	8PCS
40W	4PCS

1. Maximum number of connections for double wiring as below.

2. Specification of the Connected Cable.
max. 3 x 18AWG
To maintain EN60598-1 approval.
min. 6mm
max. 11mm

3. After the connection, please make sure the cap and waterproof connector are locked.



Installation Caution

1. Single sided power input wiring.

2. Only for double sided power input wiring.

