



Declaration of Conformity

We PowerLed (wholly owned subsidiary of Sunpower Group Holdings Ltd) of Orion House, Calleva Park, Aldermaston, Berkshire, RG7 8SN, UK declare under our responsibility that our product ORRA-B is herewith confirmed to comply with the requirements set out in the UK legislation, Electromagnetic Compatibility Regulations 2016, and the European Council Directive on the Approximation of the Laws of the Member States relating to Electromagnetic Compatibility Directive (2014/30/EU).

Wednesday 8th June 2016.

Mark Ellis
Quality Manager



Registered in England: No. 9436662
Registered Office: Orion House, Calleva Park, Aldermaston, Berkshire, RG7 8SN

ORRA-B LED Light Batten



ENERGY	
I PowerLed II ORRA-B	A++ LED
A++	
A+	
A	
B	
C	
D	
E	
This luminaire contains built-in LED lamps.	
The lamps cannot be changed in the luminaire.	
This luminaire can be switched on & off a minimum of 25,000 times.	
25-80W kWh/1000h	

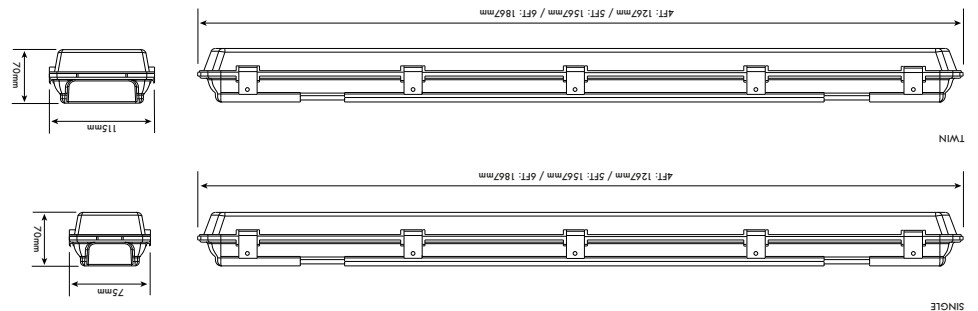
ENERGY Y IIA IE IA	
енергия · ενεργεια	A++ LED
I PowerLed II ORRA-B	
A++	
A+	
A	
B	
C	
D	
E	
This luminaire contains built-in LED lamps.	
The lamps cannot be changed in the luminaire.	
This luminaire can be switched on & off a minimum of 25,000 times.	
25-80W kWh/1000h	

Installation Instructions

Installation

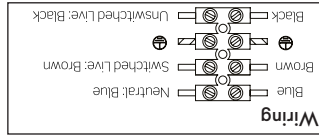
1. Mark and drill mounting holes using the snap-in ceiling clips as a template ensuring you have the correct spacing for the version being installed.
2. Fix the clips securely to the ceiling.
3. Clip the ORRA-B in place and ensure it is secure before proceeding.
4. To gain access to the interior of the LED Light, loosen the clips that secure the diffuser to the base section.
5. Separate the LED plate from the base by squeezing the securing clips inwards and pulling the plate away from the base. There are permanent restrains that prevent the plate from falling during installation and servicing maintenance.
6. Wire the mains input supply to the terminal block as per the diagram to the left of the page. This is a Class I product that must be earthed.
7. Connect to the battery pack.
8. Reverse steps 4&5 to replace LED plate, diffuser and diffuser clips.
9. Turn on power supply to ensure that it is functioning correctly.

Mechanical Diagrams



Package contents

- 2 x Mounting brackets
- 2 x Plastic anchors
- 2 x Drywall screws



1. Drill two 2mm diameter pilot holes. (Wear safety glasses before drilling).

2. Screw the mounting brackets with the wood screws provided.

3. Clip the ORRA-B light onto the secured mounting brackets.

Important user advice

- It is recommended that the ambient temperature should not exceed 30 °C.
- Ensure that there is adequate free air ventilation around the fitting.
- This installation must not infringe on water pipes or any other electrical services.
- It may be necessary to upgrade your MCBs to allow for increased inrush current.
- Always switch off mains supply before fitting or servicing.
- This LED light batten is suitable for indoor and outside use.

Warning!

Before commencing installation or maintenance ensure electricity is switched off at the mains.

This luminaire should be installed by a qualified electrician.

The safety of this LED Batten is guaranteed only if the instructions are properly respected. It is therefore necessary to keep them safe.

Modification of this product will void any warranty.