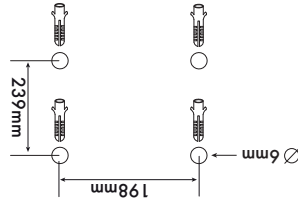
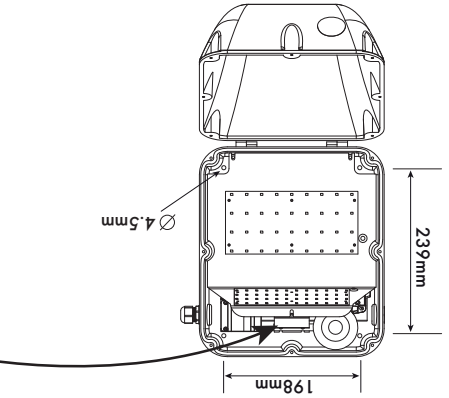
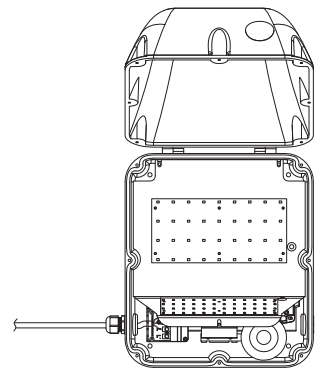


BERM Wall Pack Light Installation Instructions

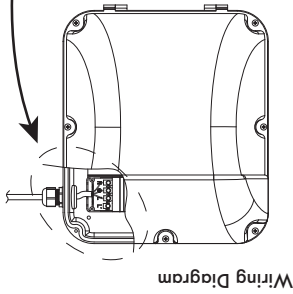
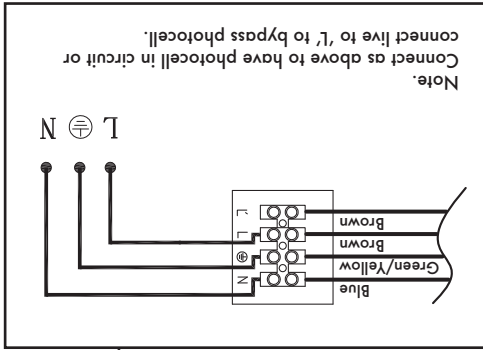
1. Open cover and mark through the pre-drilled mounting holes with a pencil to the wall.
2. Drill holes in wall and insert suitable rawl plugs. Fix the BERM light to the wall. Remember to use the waterproof grommets supplied.
3. Connect the mains supply to the internal junction block through the waterproof grommet. Lock the BERM light pack cover in place using the 7 fixing screws.
4. Insert covers to disguise the 7 fixing screw points.



Light/light Sensor function
When ambient light level is below open lux level, the sensor automatically switches on lights at 100% brightness. When ambient light level is over close lux level, it switches off lights.

ON	1	2	3	4	open	close
I	ON	ON	ON	ON	5lux	25lux
II	ON	ON	ON	ON	10lux	50lux
III	ON	ON	ON	ON	25lux	75lux
IV	ON	ON	ON	ON	50lux	100lux
V	ON	ON	ON	ON	100lux	200lux
VI	ON	ON	ON	ON	150lux	300lux
VII	ON	ON	ON	ON	200lux	400lux
VIII	-	-	-	-	-	-
Disable	-	-	-	-	-	-

Warning! Before commencing installation or maintenance ensure electricity is switched off at the mains. Warning! The safety of this down light is guaranteed only if the following instructions are properly respected. It is therefore necessary to keep them safe. Modification of this product will void any warranty.



Wiring Diagram

Declaration of Conformity

We PowerLed (wholly owned subsidiary of Sunpower Group Holdings Ltd) of Orion House, Calleva Park, Aldermaston, Berkshire, RG7 8SN, UK declare under our responsibility that our product BERM is herewith confirmed to comply with the requirements set out in the UK legislation, Electromagnetic Compatibility Regulations 2016, and the European Council Directive on the Approximation of the Laws of the Member States relating to Electromagnetic Compatibility Directive (2014/30/EU).

Wednesday 8th June 2016.

Mark Ellis
Quality Manager



Registered in England: No. 9436662
Registered Office: Orion House, Calleva Park, Aldermaston, Berkshire, RG7 8SN

BERM LED Wall Pack Light



ENERGY

IPowerLed II BERM

A++
A+
A
B
C
D
E

A+ LED

This luminaire contains built-in LED lamps.

The lamps cannot be changed in the luminaire.

This luminaire can be switched on & off a minimum of 25,000 times.

40 kWh/1000h

ENERGY Y IJA
IE IA

енергия · ενεργεια

IPowerLed II BERM

A++
A+
A
B
C
D
E

A+ LED

This luminaire contains built-in LED lamps.

The lamps cannot be changed in the luminaire.

This luminaire can be switched on & off a minimum of 25,000 times.

40 kWh/1000h