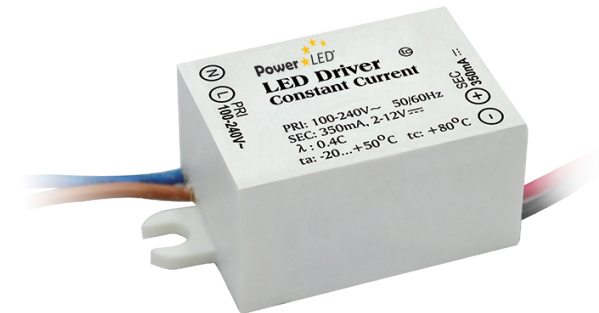


## PCC4 Series



### 4W Constant Current LED Driver



#### Key Features:

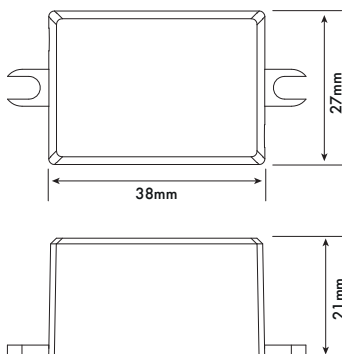
- Super Compact Design
- Universal AC Input
- Primary and secondary sides come with leads
- Open Circuit, short circuit, over load and overheating protection
- Simple installation
- IP65

#### PCC36TD SPECIFICATION

Part Code	PCC2004	PCC3504	PCC5004	PCC7004
Input Voltage	100 ~ 240VAC	100 ~ 240VAC	100 ~ 240VAC	100 ~ 240VAC
Power Factor	0.4	0.4	0.4	0.4
Output Voltage	6 ~ 20V	3 ~ 12V	2 ~ 8V	2 ~ 6V
Input Current	200mA	350mA	500mA	700mA
Efficiency	72%	72%	70%	68%
Power	4W	4W	4W	4W
Ambient Temperature	-20 ~ +50°C			
Casing Temperature	80°C	85°C	85°C	85°C
Safety Standard	Design refers to EN61347-1, EN61347-2-13			
EMC	Compliance to EN55015, EN61000-3-2, EN61000-3-2, EN61000-3-3, EN61547			
Connections (input)	180mm 2C	180mm 2C	180mm 2C	180mm 2C
Connections (output)	180mm 2C	180mm 2C	180mm 2C	180mm 2C
Weight	42g	42g	42g	42g
Dimensions	38 x 27 x 21 mm	38 x 27 x 21 mm	38 x 27 x 21 mm	38 x 27 x 21 mm



#### Mechanical Diagrams



PowerLed (UK) Ltd  
Orion House  
Calleva Park  
Aldermaston  
Berkshire  
RG7 8SN

Contact:  
Tel: 0118 9703856  
enquiries@powerled.uk.com  
www.powerled.uk.com

