

# ZEN5



## 16W ~ 5" LED DOWN LIGHT KIT



### Key Features:

- Bright lumen output, low glare
- High efficiency LED chip and reflector system
- Quick connect external dimmable driver included compatible with leading edge & trailing edge dimmer
- Energy savings of 85% & low maintenance costs
- Anodised aluminium heat sink
- Long life - 50k hours
- 100° beam angle
- Insulation spacer frame ~ Low heat generation

### ZEN5 SPECIFICATION

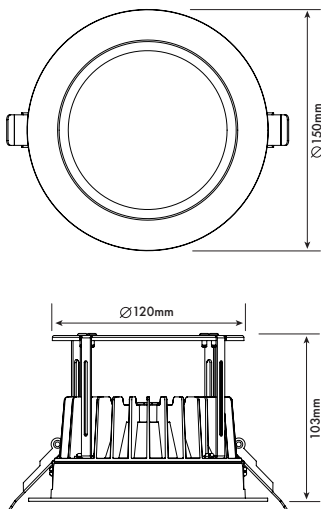
Part Code	ZEN5 16W3K-W	ZEN5 16W4K-W	ZEN5 16W3K-SN	ZEN5 16W4K-SN
Fitting Colour	White	White	Satin Nickel	Satin Nickel
Driver AC Input	220 ~ 240V	220 ~ 240V	220 ~ 240V	220 ~ 240V
Input Current	350mA	350mA	350mA	350mA
Input Voltage	46V	46V	46V	46V
Power	16W	16W	16W	16W
Lumens	1200lm	1350lm	1200lm	1350lm
Colour (K)	3000	4000	3000	4000
Lumen Field Angle	100°	100°	100°	100°
Working Temperature	-20°C ~ +40°C	-20°C ~ +40°C	-20°C ~ +40°C	-20°C ~ +40°C
CRI	80	80	80	80
Weight	460g	460g	460g	460g
Dimensions	Ø 150 x 103mm	Ø 150 x 103mm	Ø 150 x 103mm	Ø 150 x 103mm



### Available Variants

ZEN5 16W3K-W-DA	ZEN5 16W4K-W-DA	ZEN5 16W3K-SN-DA	ZEN5 16W4K-SN-DA	DALI Dimmable
ZEN5 16W3K-W-DSI	ZEN5 16W4K-W-DSI	ZEN5 16W3K-SN-DSI	ZEN5 16W4K-SN-DSI	DSI Dimmable

### Mechanical Diagram



### Additional Accessories



Optional emergency pack EP3KIT, is also available for use with the ZEN Series, if you would like to make the down lights operate as emergency lighting as well.



Quick and easy connector

PowerLed (UK) Ltd  
Orion House  
Calleva Park  
Aldermaston  
Berkshire  
RG7 8SN

Contact:  
Tel: 0118 9703856  
enquiries@powerled.uk.com  
www.powerled.uk.com

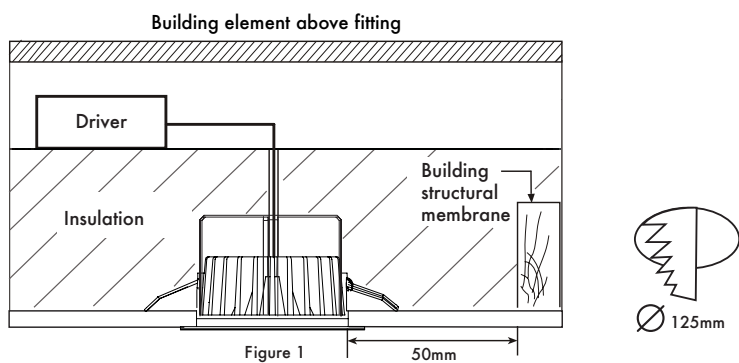


# ZEN5

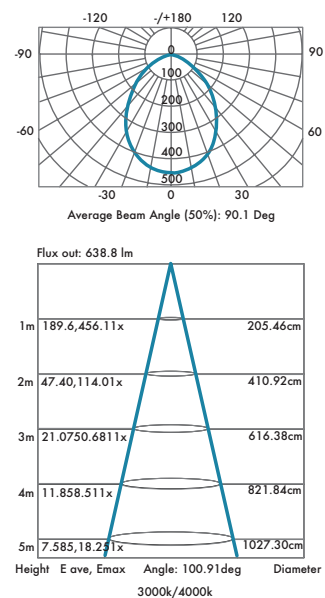
## 16W ~ 5" LED DOWN LIGHT KIT



### Installation Diagram



### Photometric



### Driver Connection

