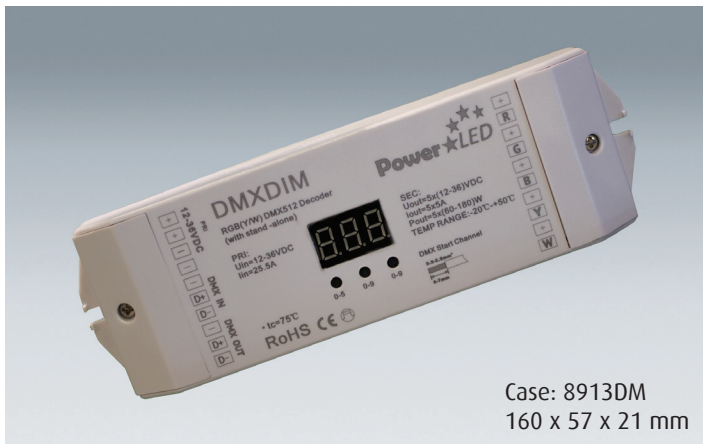


DMX Dimmer Series

Dimmer



Case: 8913DM
160 x 57 x 21 mm

Features

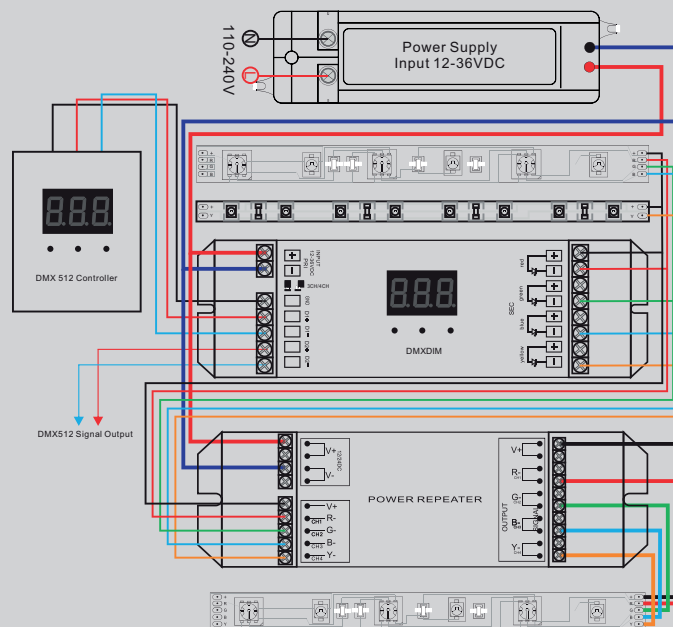
- Suitable for indoor LED lighting
- Capable of RGB colour adjustment
- 0-100% dimming range via logarithmic characteristic, good for human vision
- 256 levels of grey scales with smooth dimming control
- Power repeater available for increased lengths of LED tape
- Standard DMX512 compliant control interface, enable to set the DMX address freely and show address Via digital numeric display.
- Stand-alone mode and DMX512 decoder mode can be freely switched by buttons. Under situation of stand-alone mode enables to adjust brightness per channel, also can entry the fading operation mode.
- Three-channel/ four-channel/five-channel output selectable, Max. 5A or 8A per channel.



Specification

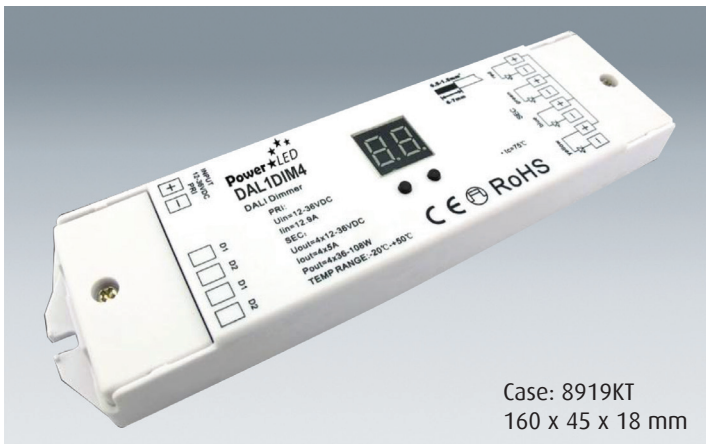
INPUT	Voltage	12~36VDC
	Max Load Current	3/4/5x5A
OUTPUT	MODEL No.	PR1DIM
	Rated Power	3/4/5x(60-180)W
	Load Regulation	±0.4%
PROTECTION	Temperature Range	-20°C ~ +50°C
ENVIRONMENTAL	TA	-20°C ~ +50°C
	TC	+75°C
OTHERS	Remarks	Visible Address

Mechanical Diagram



DAL1 Series

DAL1 Dimmers



Case: 8919KT
160 x 45 x 18 mm

Features

- Suitable for indoor LED lighting
- Capable of RGB colour adjustment
- PUSH and Constant voltage dimmers available
- 0-100% dimming range via logarithmic characteristic, perfect for human vision
- 256 levels of grey scales with smooth dimming control
- Power repeater available for increased lengths of LED tape

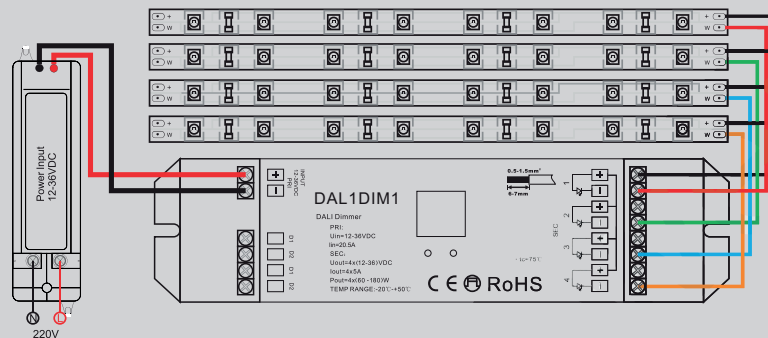


Specification

INPUT	Voltage	12~36VDC		
	Max Load Current	4x5A		
OUTPUT	MODEL No.	DAL1DIM1	DAL1DIM4	DAL1DIM1P
	Rated Current	10A	8A	6A
	Rated Power	4x(60-180)W	4x(60-180)W	4x(60-180)W
	Load Regulation	±0.4%	±0.4%	±0.4%
PROTECTION	Temperature Range	-20°C ~ +50°C		
ENVIRONMENTAL	TA	-20°C ~ +50°C		
	TC	+75°C		
Others	Additional Functions	-	-	Push Dimmer

1. All parameters NOT specially mentioned are measured at 24VDC input, rated load and 25 °C of ambient temperature.

DAL1DIM1 Mechanical Diagram



DAL1DIM4 Mechanical Diagram

