

# ZEN4



## 11W ~ 4" LED DOWN LIGHT KIT



### Key Features:

- Bright lumen output, low glare
- High efficiency LED chip and reflector system
- Quick connect external dimmable driver included compatible with leading edge & trailing edge dimmer
- Energy savings of 85% & low maintenance costs
- Anodised aluminium heat sink
- Long life - 50k hours
- 100° beam angle
- Insulation spacer frame ~ Low heat generation

### ZEN4 SPECIFICATION

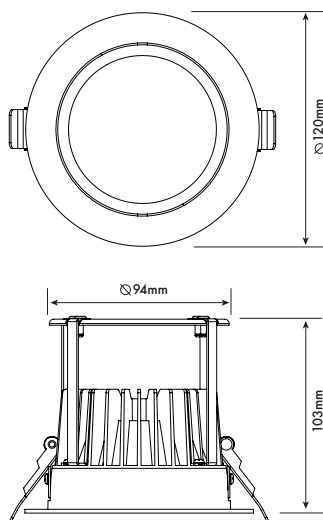
Part Code	ZEN4 11W3K-W	ZEN4 11W4K-W	ZEN4 11W3K-SN	ZEN4 11W4K-SN
Fitting Colour	White	White	Satin Nickel	Satin Nickel
Driver AC Input	220 ~ 240V	220 ~ 240V	220 ~ 240V	220 ~ 240V
Input Current	350mA	350mA	350mA	350mA
Input Voltage	31V	31V	31V	31V
Power	11W	11W	11W	11W
Lumens	850lm	900lm	850lm	900lm
Colour (K)	3000	4000	3000	4000
Lumen Field Angle	90°	90°	90°	90°
Working Temperature -	20°C ~ +40°C	20°C ~ +40°C	20°C ~ +40°C	20°C ~ +40°C
CRI	80	80	80	80
Weight	300g	300g	300g	300g
Dimensions	Ø 120 x 103mm	Ø 120 x 103mm	Ø 120 x 103mm	Ø 120 x 103mm



### Available Variants

ZEN4 11W3K-W-DA	ZEN4 11W4K-W-DA	ZEN4 11W3K-SN-DA	ZEN4 11W4K-SN-DA	DALI Dimmable
ZEN4 11W3K-W-DSI	ZEN4 11W4K-W-DSI	ZEN4 11W3K-SN-DSI	ZEN4 11W4K-SN-DSI	DSI Dimmable

### Mechanical Diagram



### Additional Accessories



Optional emergency pack EP3KIT, is also available for use with the ZEN Series, if you would like to make the down lights operate as emergency lighting as well.



PowerLed  
Orion House  
Calleva Park  
Aldermaston  
Berkshire  
RG7 8SN

Contact:  
Tel: 0118 9703856  
enquiries@powerled.uk.com  
www.powerled.uk.com

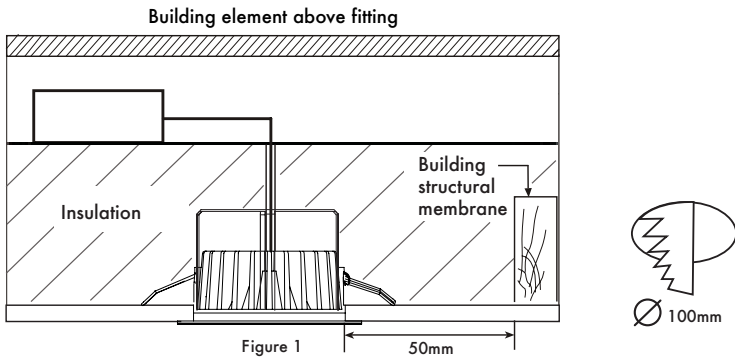


# ZEN4

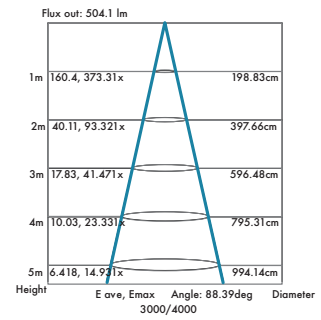
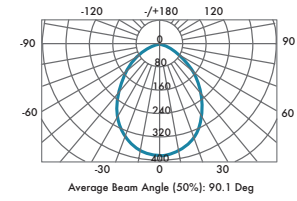
11W ~ 4" LED DOWN LIGHT KIT



## Installation Diagram



## Photometric



## Driver Connection

