



TEC-15

15W LED FLOODLIGHT



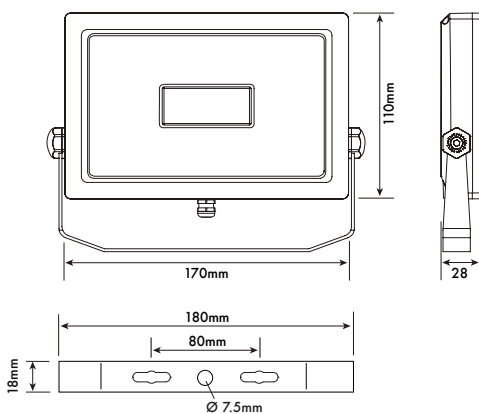
Key Features:

- > Designed for marine & swimming pool conditions
- > Bright lumen output, low glare
- > High efficiency LED SMD Chip
- > Energy savings of >85% and low maintenance costs
- > Suitable for domestic, commercial and industrial external lighting applications
- > Long life - 50K hours
- > 100° beam angle
- > Salt spray protection
- > IP rating IP65

TEC-15 SPECIFICATION

Part Code	TEC-15N
Fitting Colour	White
Case	Die-cast Aluminium
Lens	Tempered Glass
Input Voltage	220~240VAC
Power	15W
Power Factor	>0.95
Lumens	1300lm
Colour (K)	4000K
Lumen Field Angle	100°
Working Temperature	-20° C ~ +40° C
CRI	≥82
Weight	0.71Kg
Dimensions	170 x 110 x 28mm

Mechanical Diagrams



PowerLed (UK) Ltd
 Orion House
 Calleva Park
 Aldermaston
 Berkshire
 RG7 8SN

Contact:
 Tel: 0118 9703856
 enquiries@powerled.uk.com
 www.powerled.uk.com

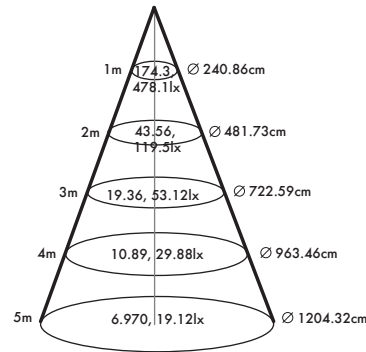
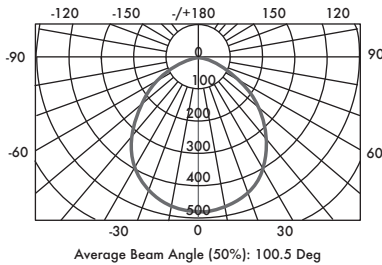


TEC-15

15W LED FLOODLIGHT



Photometrics



Testing & Certification

The TEC floodlight has been extensively tested to the following criteria:-

Salt Spray Test

IEC 60068-2-52 specifies the application of the cyclic salt mist test to components or equipment designed to withstand a salt-laden atmosphere as salt can degrade the performance of parts manufactured using metallic and/or non-metallic materials.

International Protection (IP) Rating

IEC 60529, sometimes interpreted as Ingress Protection Marking, classifies and rates the degree of protection provided against intrusion (body parts such as hands and fingers), dust, accidental contact, and water by mechanical casings and electrical enclosures. It is published by the International Electrotechnical Commission (IEC). The equivalent European standard is EN 60529.

CE Certificate of Conformity

CE marking is a certification mark that indicates conformity with health, safety, and environmental protection standards for products sold within the European Economic Area (EEA). This also includes EMI, EMS, Low Voltage Directive and Energy Related Products Directive.

ECA compliance Certificate

Photometric Reports

Driver Data

Copies of these certificates and reports are available upon request.

PowerLed (UK) Ltd
Orion House
Calleva Park
Aldermaston
Berkshire
RG7 8SN

Contact:
Tel: 0118 9703856
enquiries@powerled.uk.com
www.powerled.uk.com

