

# FLEX-PIR



## LED Remote Control Floodlight



### Key Features:

- Suitable for security & general outdoor lighting applications
- Built-in PIR sensor with remote control
- PIR is bonded into the glass avoiding water ingress
- Remote control operation
- Frosted lens to reduce glare
- Quality, long life 2835 LED chips
- Detection angle of 120° at a distance of 8 metres
- Designed to eliminate water ingress
- IP65 rating
- Flush heat sink with high surface area for heat dissipation

### FLEX-PIR SPECIFICATION

Part Code	FLEX-PIR10-5K	FLEX-PIR20-5K	FLEX-PIR30-5K	FLEX-PIR50-5K	FLEX-PIR70-5K
Input Voltage	175 ~ 265VAC	175 ~ 265VAC	175 ~ 265VAC	175 ~ 265VAC	175 ~ 265VAC
Input Frequency	50/60Hz	50/60Hz	50/60Hz	50/60Hz	50/60Hz
Power Factor	>0.6	>0.6	>0.9	>0.9	>0.9
Input Power	<10W	<20W	<30W	<50W	<70W
Fitting Colour	Black	Black	Black	Black	Black
Lumen Output	>1000lm	>2000lm	>3000lm	>5000lm	>7000lm
CRI	>80	>80	>80	>80	>80
Colour (K)	5000K	5000K	5000K	5000K	5000K
Efficacy	100lm/W	100lm/W	100lm/W	100lm/W	100lm/W
Beam Angle	120°	120°	120°	120°	120°
Weight	0.46Kg	0.63Kg	1.13Kg	1.51Kg	2.37Kg
Cable	H05RN-F 300mm long - 3 core 1mm				
Dimensions	124.5x93x27.5 mm	147x109x32.5 mm	208x148x39mm	243x177.5x47mm	279x211x51.5mm



### Remote Control Key Features:

- Remote control operation
- Can be used with all FLEX-PIR models and doesn't need to be paired
- Directional infrared operation

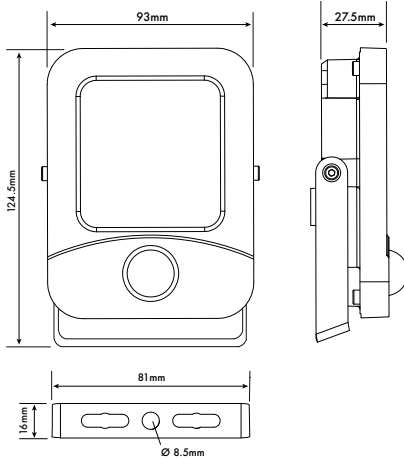
# FLEX-PIR

## LED Remote Control Floodlight

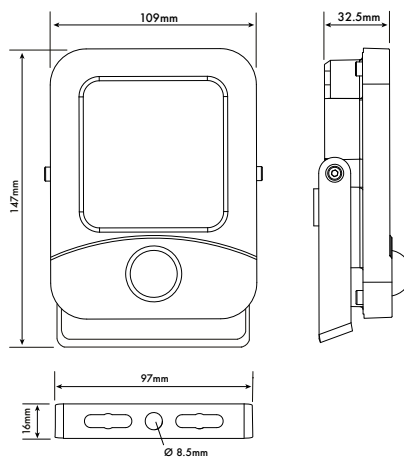


### Mechanical Diagrams

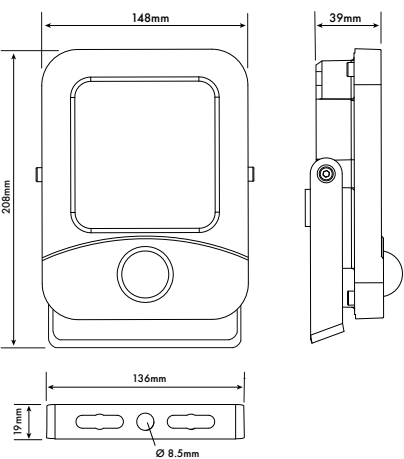
FLEX-PIR10-5K



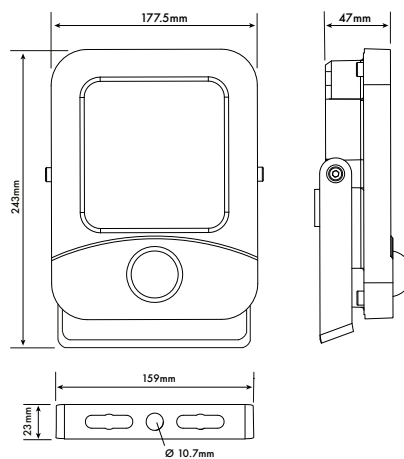
FLEX-PIR20-5K



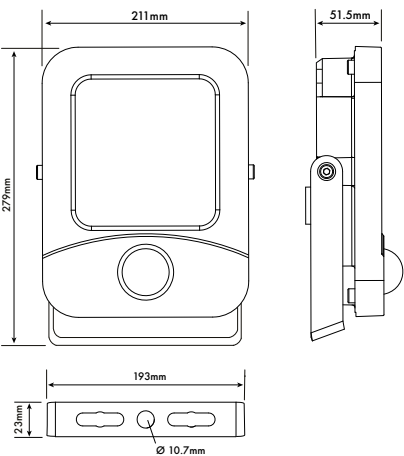
FLEX-PIR30-5K



FLEX-PIR50-5K



FLEX-PIR70-5K



REMOTE CONTROLLER

