

PUC-V10



100W IP67 SINGLE OUTPUT SWITCHING POWER SUPPLY



Key Features:

- Constant Voltage Design
- Universal AC input / Full range
- Withstand 300VAC surge input for 5 seconds
- Cooling by free air convection
- Protections: Short Circuit / Over Load/ Over voltage
- Fully encapsulated with IP67 level
- Fully isolated plastic case
- Class II power unit, no FG
- Class 2 power unit
- Pass LPS
- Suitable for LED lighting and moving sign applications
- 100% full load burn-in test
- 2 years warranty

PUC-V10 SPECIFICATION

Part Code	PUC-V10-5	PUC-V10-12	PUC-V10-15	PUC-V10-24	PUC-V10-36	PUC-V10-48
Voltage	90 ~ 264VAC 127 ~ 370VAC					
Frequency	47 ~ 63 Hz					
AC current	2.2A/115VAC 1.2A/230VAC					
Inrush Current (Typ.)	Cold start 75A (twidth=700µs measured at 50% Ipeak) at 230VAC					
Max. No of PSUs on 16A Circuit Breaker	2 units (circuit breaker of type B) / 3 units (circuit breaker of type C) at 230VAC					
Leakage current	<0.25mA/240VAC					
DC Voltage	5V	12V	15V	24V	36V	48V
Rated current	12A	8.5A	6.7A	4.2A	2.8A	2.1A
Current Range	0 ~ 12A	0 ~ 8.5A	0 ~ 6.7A	0 ~ 4.2A	0 ~ 2.8A	0 ~ 2.1A
Rated Power	60W	102W	100.5W	100.8W	100.8W	100.8W
R&N	80mVp-p	120mVp-p	120mVp-p	150mVp-p	150mVp-p	150mVp-p
Efficiency	80%	85%	87%	88%	88%	89%
Voltage Tolerance	±8.0%	±5.0%	±5.0%	±5.0%	±5.0%	±5.0%
Line Regulation	±1.0%	±1.0%	±1.0%	±1.0%	±1.0%	±1.0%
Load Regulation	±6.0%	±2.0%	±2.0%	±2.0%	±2.0%	±2.0%
Set up, Rise Time	2000ms, 25ms/230VAC 2000ms, 25ms/115VAC					
Hold Up Time	50ms/230VAC 14ms/115VAC at full load 110 ~ 150% rated output power					
Over Voltage	5.75 ~ 6.75V 13.8 ~ 16.2V 17.25 ~ 20.25V 27.6 ~ 32.4V 41.4 ~ 48.6V 55.2 ~ 64.8V Overload Protection type: Hiccup mode, recovers automatically after fault condition is removed Protection Type: Shut off o/p voltage, re-power on to recover					
Working Temperature	-25 ~ +70 °C (Please refer to 'Derating Curve' section)					
Working Humidity	20 ~ 90% RH non-condensing					
Storage Temp., Humidity	-40 ~ +80 °C, 10 ~ 95% RH					
Temp Coefficient	±0.0.3%/°C (0 ~ 50 °C)					
Vibration	10 ~ 500Hz, 2G 10 min./1cycle, period for 60 min. each along X, Y, Z axes					
Safety Standards	UL8750, CSA C22.2 No 250.13-12, UL879, CSA C22.2 No.207-M89, IP67 approved. Design refer to EN60950-1					
Withstand voltage	I/P-O/P:3KVAC					
Isolation Resistance	I/P-O/P:>100M Ohms / 500VDC / 25 °C/ 70% RH					
EMC Emission	Compliance to EN55032 (CISPR32) Class B, EN61000-3-2 Class A(≤80% load), EN61000-3-3, EAC TP TC 020					
EMC Immunity	Compliance to EN61000-4-2,3,4,5,6,8,11; EN55024, light industry level, criteria A, EAC TP TC 020					
M.T.B.F.	703Khrs min. MIL-HDBK-217F (25 °C)					
Packing	0.63Kg; 20pcs/13.6Kg/0.55CUFT					
Dimensions	190 x 52 x 37mm					



PowerLed (UK) Ltd
Orion House
Calleva Park
Aldermaston
Berkshire
RG7 8SN

Contact:
Tel: 0118 9703856
enquiries@powerled.uk.com
www.powerled.uk.com



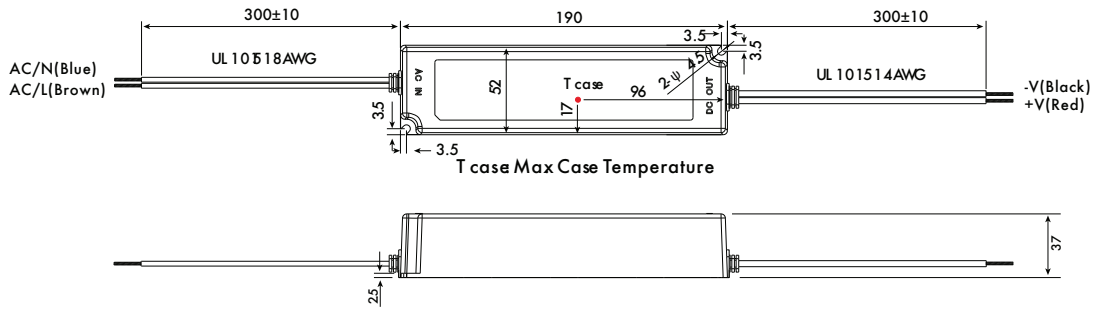


PUC-V10

100W IP67 SINGLE OUTPUT SWITCHING POWER SUPPLY

Mechanical Diagrams

Unit:mm

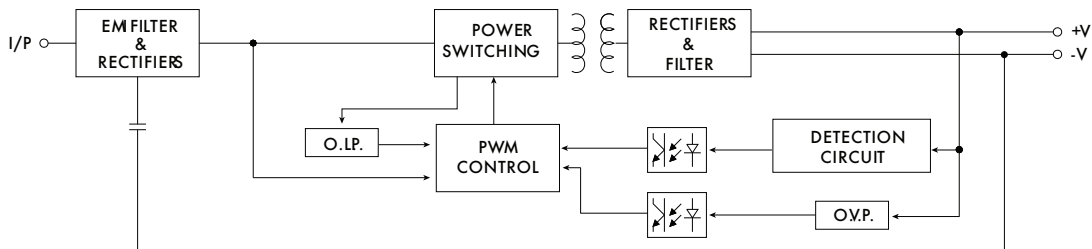


Mounting Recommendation

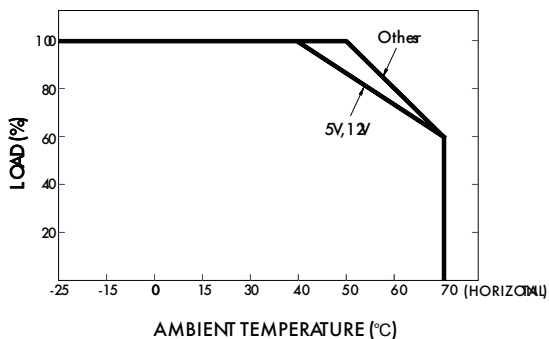


Block Diagram

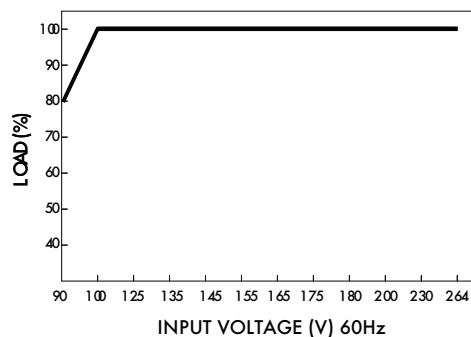
osc : 65KHz



Diving Methods of LED Module



Static Characteristic



PowerLed (UK) Ltd
 Orion House
 Calleva Park
 Aldermaston
 Berkshire
 RG7 8SN

Contact:
 Tel: 0118 9703856
 enquiries@powerled.uk.com
 www.powerled.uk.com

