

PCV60 Series



60W IP20 CONSTANT VOLTAGE LED LIGHTING POWER SUPPLY



Key Features:

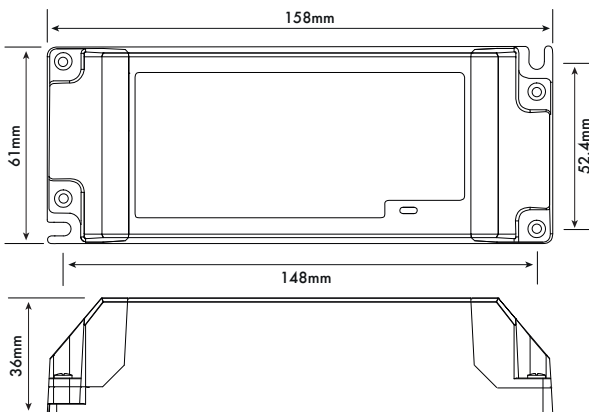
- Captive terminal screws for ease of installation
- Snap lock cable strain relief
- LED Indicator for power on
- Over load, short circuit and thermal protection
- Class II product
- Safe no load operation
- Suitable for indoor lighting applications
- Superior latch off protection
- Energy Efficient and Energy compliant
- SELV equivalent

PCV60 SPECIFICATION

Part Code	PCV1260	PCV2460
Input Voltage	100V ~ 240VAC	100V ~ 240VAC
Frequency	47 ~ 63 Hz	47 ~ 63 Hz
Power Factor	0.95	0.95
Output Voltage	12V	24V
Output Current	5A	2.5A
Power	60W	60W
R&N	240mV	360mV
Efficiency (TYP.)	87%	82%
Over Voltage	175%, output will shut down and latch off. Turn unit off/on to restart	
Over Current	110~150%, output will shut down and latch off. Turn unit off/on to restart	
Short Circuit	Should a short circuit occur the output will shut down and latch off. Turn unit off and on to restart	
Over Temperature	Thermal, output will shut down and latch off. Turn unit off and on to restart	
Temperature	Operating: 0~+40°C; Storage: -20~+85°C	
Safety Standard	EN61347-2-13, EN61347-1, IEC61347-1, IEC61347-2-13 Approved	
EMI Standard	Meets Emissions to EN55015, EN61547, EN61000-3-2, EN61000-3-3	
Lifetime	30K hrs full load 25 °C	
Connections	Screw terminal on I/P & O/P	Screw terminal on I/P & O/P
Weight	300g	300g
Dimensions	158 x 61 x 36mm	158 x 61 x 36mm



Mechanical



PowerLed (UK) Ltd
Orion House
Calleva Park
Aldermaston
Berkshire
RG7 8SN

Contact:
Tel: 0118 9703856
enquiries@powerled.uk.com
www.powerled.uk.com

