

PUC-V06 Series is a range of RoHS compliant single output Constant Voltage power supplies suitable for LED lighting applications both indoors and outdoors.

- Constant voltage design input for 5 seconds
- 90 ~ 264VAC Universal AC input
- Epoxy encapsulated fully isolated plastic case with IP67 level
- Withstand 300VAC surge
- Short circuit, over load, over voltage protections
- Cooling by free air convection
- Meets UL1310 Class 2 & LPS requirements

Applications

- Commercial LED lighting
- Channel lettering
- Moving sign applications



60W Single Output IP67 Rated Constant Voltage LED Lighting Power Supply

★ Specification

IP Rating	IP67
Input Voltage	90-264VAC
Input Frequency	47 ~ 63Hz
Input Current	1.2A/115Vac 2A/230Vac
Leakage Current	0.25mA/230Vac
Power Factor	Non PFC
Voltage Tolerance	±5.0 %; ±8.0 % for 5V

Operating Temperature	-30°C ~ +70°C
Storage Temperature	-40°C to +80°C
MTBF	732Khrs min MIL-HDBK-217F (25°C), ground benign
Safety Standards	Designed to meet UL1310 Class 2, CSA C22.2 No. 223-M91 (except 5V & 48V), TUV EN60950-1, EN61347-2-13
EMI Standards	Compliance to EN55022 (CISPR22) Class B, EN61000-3-2,-3; EN61000-4-2,3,4,5,6,8,11; ENV50204, EN55024, light industry level, criteria A

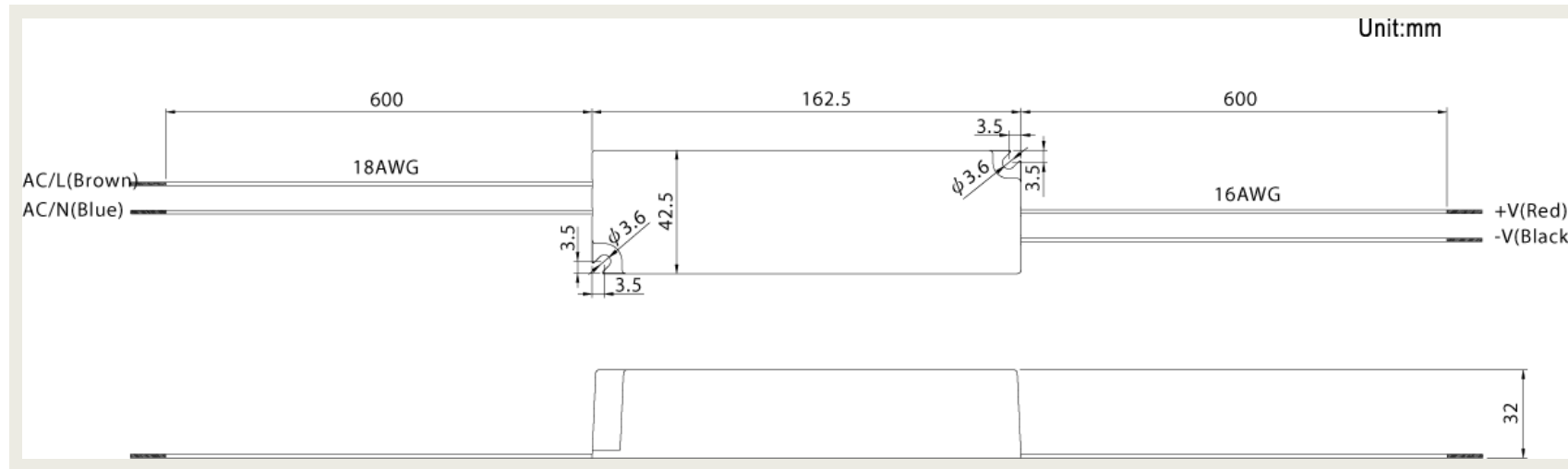
Dimensions	L162.5mm x W42.5mm x H32 mm
Weight	440g
Input Connections	600mm 18AWG
Output Connections	600mm 16AWG



Part number	Voltage	Current	Power	Eff	OVP
PUC-V06A	5V	8A	40W	76%	5.75 - 6.75V
PUC-V06C	12V	5A	60W	83%	13.8 - 16.2V
PUC-V06D	15V	4A	60W	83%	17.25 - 20.25V
PUC-V06G	24V	2.5A	60W	86%	27.6 - 32.4V
PUC-V06K	36V	1.67A	60W	86%	41.4 - 48.6V
PUC-V06M	48V	1.25A	60W	86%	55.2 - 64.8V

60W Single Output IP67 Rated Constant Voltage LED Lighting Power Supply

★ Mechanical Drawing



Part number	Voltage	Current	Power	Eff	OVP
PUC-V06A	5V	8A	40W	76%	5.75 - 6.75V
PUC-V06C	12V	5A	60W	83%	13.8 - 16.2V
PUC-V06D	15V	4A	60W	83%	17.25 - 20.25V
PUC-V06G	24V	2.5A	60W	86%	27.6 - 32.4V
PUC-V06K	36V	1.67A	60W	86%	41.4 - 48.6V
PUC-V06M	48V	1.25A	60W	86%	55.2 - 64.8V