

# LED Power & Control - LED Controllers

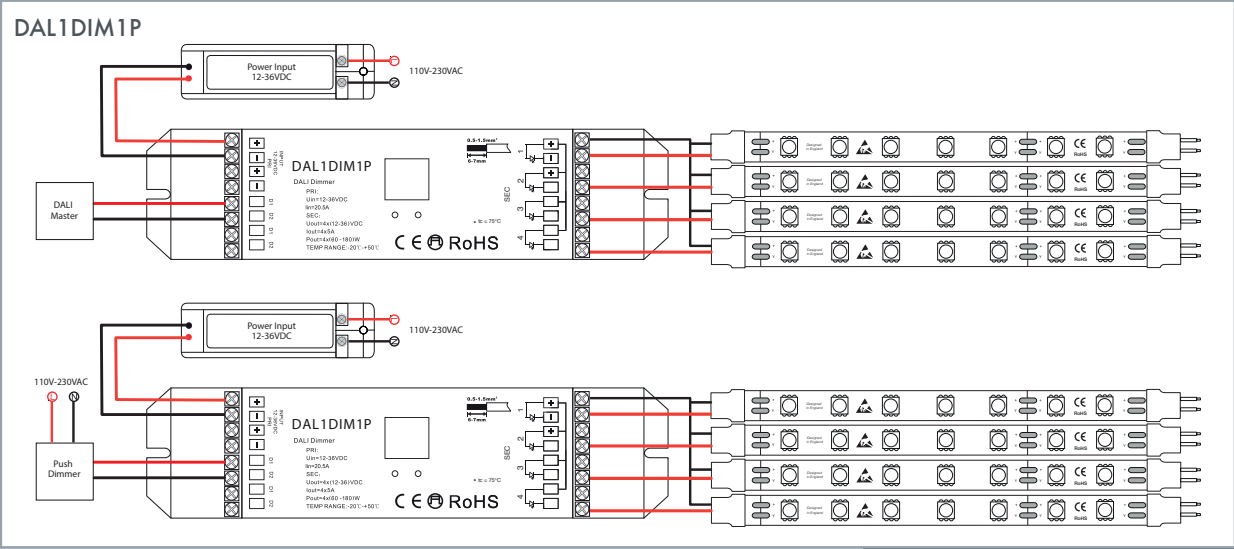
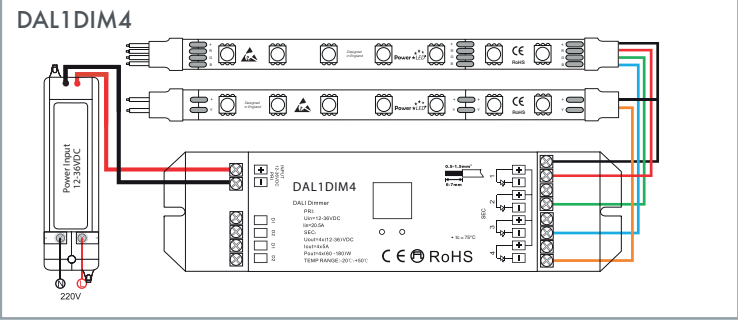
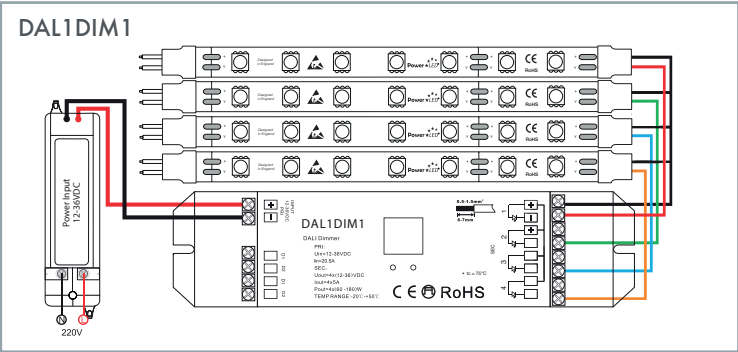
## Dali Series Controller

Part Code	DAL1DIM1	DAL1DIM4	DAL1DIM1P
Input voltage	12 ~ 36VDC	12 ~ 36VDC	12 ~ 36VDC
Max load current	4 x 5A	4 x 5A	4 x 5A
Max output power	4 x (60 ~ 180)W	4 x (60 ~ 180)W	4 x (60 ~ 180)W
Load type	Regular LED (0.04 ~ 0.1W)	Regular LED (0.04 ~ 0.1W)	Regular LED (0.04 ~ 0.1W)
Ta	-20 ~ +50°C	-20 ~ +50°C	-20 ~ +50°C
Tc	+75°C	+75°C	+75°C
Address	1 DALI	4 DALI	1 DALI
Additional functions	-	-	Push Dimmer
Dimensions	160 x 45 x 18mm		



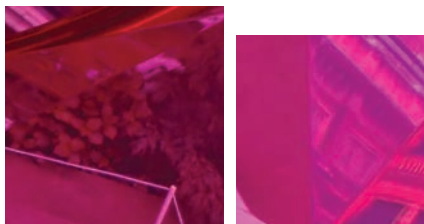
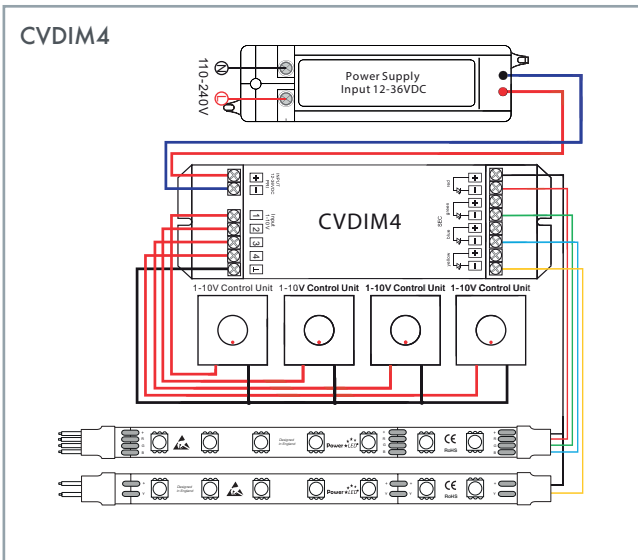
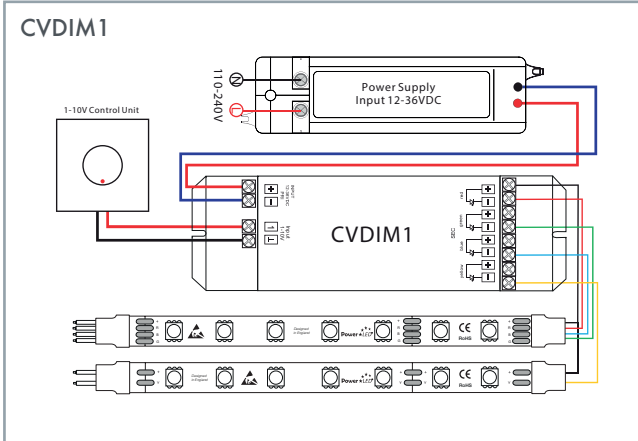
### Product Features

- ★ A comprehensive range of controllers suitable for indoor LED lighting
- ★ Intelligent dimmers capable of RGB colour adjustment
- ★ DALI, DMX, 1-10V, PUSH and Constant voltage controllers available
- ★ 0-100% dimming range via logarithmic characteristics, perfect for human vision
- ★ 256 levels of grey scales with smooth dimming control
- ★ Power repeater available for increased lengths of LED tape
- ★ Can be used in conjunction with all PowerLed CV drivers



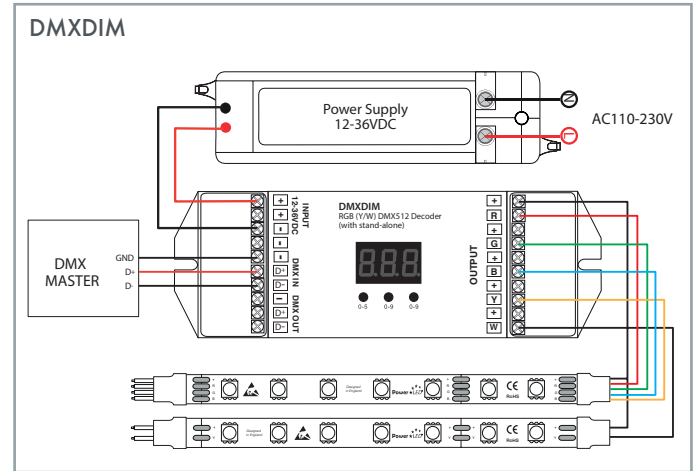
## 1~10V Series Controller

Part Code	CVDIM1	CVDIM4
Input voltage	12 ~ 36VDC	12 ~ 36VDC
Max load current	4 x 5A	4 x 5A
Max output power	4 x (60 ~ 180)W	4 x (60 ~ 180)W
Signal channel	1CH 1 ~ 10V input 4CH PWM Output	4CH 1 ~ 10V input 4CH PWM Output
Load type	Regular LED (0.04 ~ 0.1W)	Regular LED (0.04 ~ 0.1W)
Ta	-20 ~ +50°C	-20 ~ +50°C
Tc	+75°C	+75°C
Dimensions	178 x 45 x 19mm	



## DMX Series Controller

Part Code	DMXDIM
Input voltage	12 ~ 36VDC
Max load current	3/4/5 x 5A
Max output power	3/4/5 x (60 ~ 180)W
Load type	Regular LED (0.04 ~ 0.1W)
Ta	-20 ~ +50°C
Tc	+75°C
Address	Visible Address
Dimensions	160 x 57 x 21mm



## LED Power Repeater

Part Code	PRDIM
Input voltage	12 ~ 36VDC
Max load current	3/4 x 5A
Max output power	3/4 x (60 ~ 180)W
Load type	Regular LED (0.04 ~ 0.1W)
Ta	-20 ~ +50°C
Tc	+75°C
Address	PWM Control
Dimensions	160 x 45 x 18mm



PRDIM is compatible with the DAL1DIM1, DAL1DIM4, DAL1DIM1P, CVDIM1 & CVDIM4. PRDIM is NOT compatible with the DMXDIM.