

LED Power & Control - Constant Voltage Dimming IP67 Rated

The PowerLed range of IP67 Drivers are designed to operate and improve the reliability of LED lighting applications. Offering an input mains capability of up to 305VAC a power factor of 0.97; and efficiency figures of greater than 80%, these high reliability drivers are a suitable choice for many outdoor installations.



PEC-V01-PD Series - 16W IP67 LED Drivers

Part Code	PEC-V01C-PD	PEC-V01G-PD
Dimming Function	1 ~ 10V, PWM or resistive dimming	
Input Voltage	90 ~ 305VAC	90 ~ 305VAC
Input Frequency	47/63Hz	47/63Hz
Power Factor	0.97	0.97
Power	16W	16W
Voltage	12Vdc	24Vdc
Current Range	0 ~ 1.34A	0 ~ 0.67A
Efficiency	83%	84.5%
Connections (input)	300mm SJTW 2C 18AWG	
Connections (output)	300mm SJTW 4C 18AWG	
Weight	210g	210g
Dimensions	148 x 40 x 32mm	



Product Features

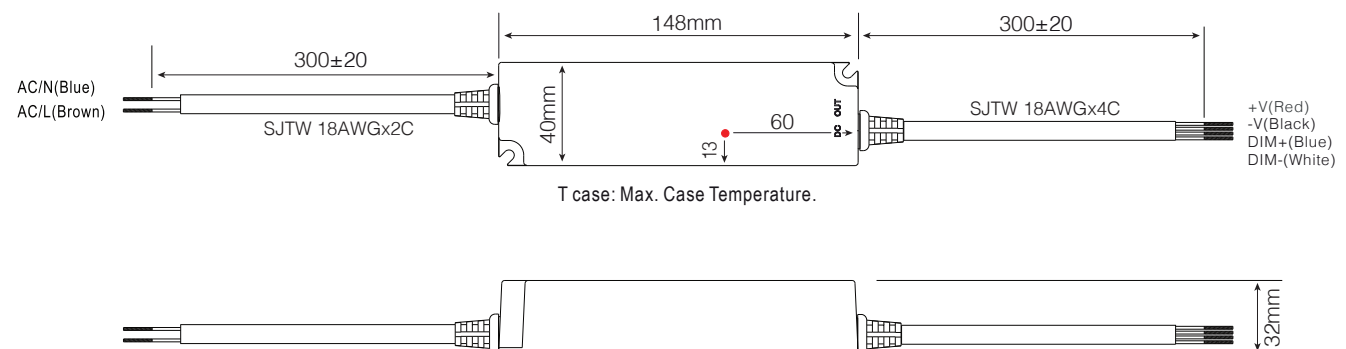
- ★ 16W to 320W models available
- ★ High Efficiency
- ★ Built in 1-10Vdc, PWM signal, resistive, triac & DALI dimming options available
- ★ High PFC >0.9
- ★ Over load, short circuit and over voltage protections
- ★ SELV Equivalent
- ★ Cooling by free air convection
- ★ Class II output
- ★ Long life and high reliability

PEC-V02-PD Series - 25W IP67 LED Drivers

Part Code	PEC-V02C-PD	PEC-V02G-PD
Dimming Function	1 ~ 10V, PWM or resistive dimming	
Input Voltage	90 ~ 305VAC	90 ~ 305VAC
Input Frequency	47/63Hz	47/63Hz
Power Factor	0.97	0.97
Power	25W	25W
Voltage	12Vdc	24Vdc
Current Range	0 ~ 2.1A	0 ~ 1.05A
Efficiency	84%	85.5%
Connections (input)	300mm SJTW 2C 18AWG	
Connections (output)	300mm SJTW 4C 18AWG	
Weight	360g	360g
Dimensions	148 x 40 x 32mm	



PEC-V01-PD & PEC-V02-PD



PEC-V04-PD Series - 40W IP67 LED Drivers

Part Code	PEC-V04C-PD	PEC-V04G-PD
Dimming Function	1 ~ 10V, PWM or resistive dimming	
Input Voltage	90 ~ 305VAC	90 ~ 305VAC
Input Frequency	47/63Hz	47/63Hz
Power Factor	0.95	0.95
Power	40W	40W
Voltage	12Vdc	24Vdc
Current Range	0 ~ 3.34A	0 ~ 1.67A
Efficiency	84%	87%
Connections (input)	300mm SJTW 2C 18AWG	
Connections (output)	300mm 2464 2C 14AWG & 22AWG	
Weight	450g	450g
Dimensions	162.5 x 43.5 x 32mm	

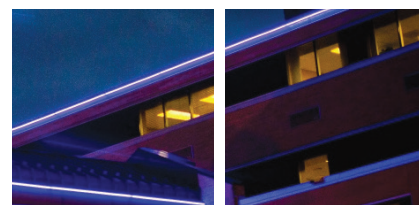
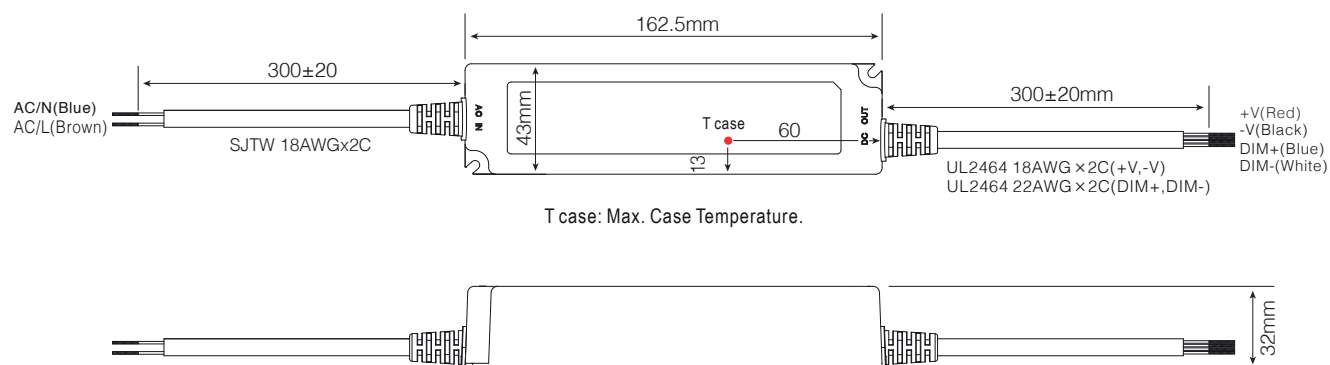


PEC-V06-PD Series - 60W IP67 LED Drivers

Part Code	PEC-V06C-PD	PEC-V06G-PD
Dimming Function	1 ~ 10V, PWM or resistive dimming	
Input Voltage	90 ~ 305VAC	90 ~ 305VAC
Input Frequency	47/63Hz	47/63Hz
Power Factor	0.95	0.95
Power	60W	60W
Voltage	12Vdc	24Vdc
Current Range	0 ~ 5A	0 ~ 2.5A
Efficiency	86%	89%
Connections (input)	300mm SJTW 2C 18AWG	
Connections (output)	300mm 2464 2C 14AWG & 22AWG	
Weight	450g	450g
Dimensions	162.5 x 43.5 x 32mm	



PEC-V04-PD & PEC-V06-PD



MWH-V12-BP Series - 120W IP67 LED Drivers

Part Code	MWH-V12C-BP	MWH-V12G-BP
Dimming Function	1 ~ 10V, PWM or resistive dimming	
Input Voltage	90 ~ 305VAC	90 ~ 305VAC
Input Frequency	47/63Hz	47/63Hz
Power Factor	0.95	0.95
Power	120W	120W
Voltage	12Vdc	24Vdc
Current Range	0 ~ 10A	0 ~ 5A
Efficiency	92%	93%
Connections (input)	300mm SJTW 3C 18AWG	
Connections (output)	300mm SJTW 2C 14AWG & 18AWG	
Weight	1120g	1120g
Dimensions	220 x 68 x 38.8mm	

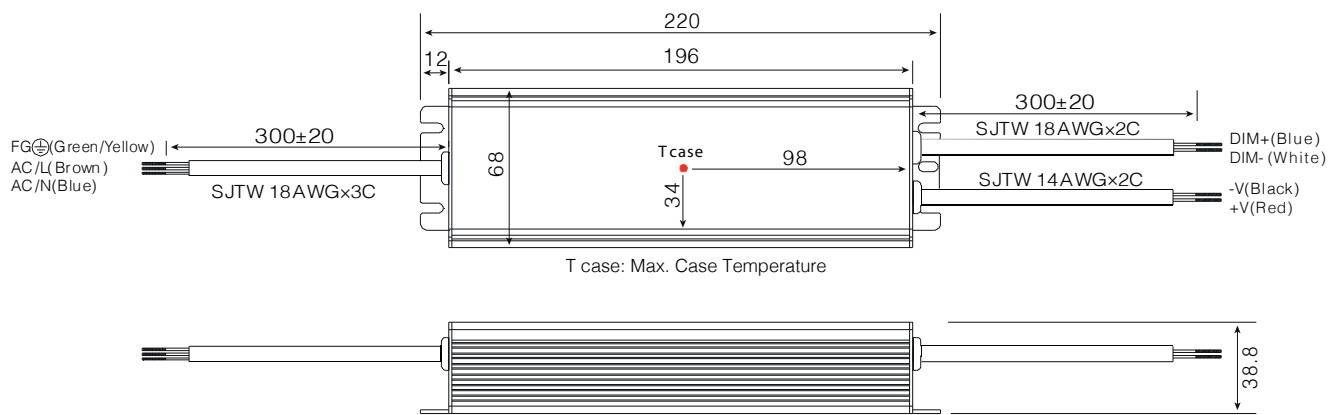


MWH-V24-BP Series - 240W IP67 LED Drivers

Part Code	MWH-V24C-BP	MWH-V24G-BP
Dimming Function	1 ~ 10V, PWM or resistive dimming	
Input Voltage	90 ~ 305VAC	90 ~ 305VAC
Input Frequency	47/63Hz	47/63Hz
Power Factor	0.95	0.95
Power	192W	240W
Voltage	12Vdc	24Vdc
Current Range	0 ~ 16A	0 ~ 10A
Efficiency	90%	93%
Connections (input)	300mm SJTW 3C 18AWG	
Connections (output)	300mm SJTW 2C 14AWG & 18AWG	
Weight	1300g	1300g
Dimensions	244.2 x 68 x 38.8mm	



MWH-V12-BP Series 120W Driver



MWH-V24-BP Series 240W Driver

