

LED Power & Control - Constant Voltage IP67 Rated

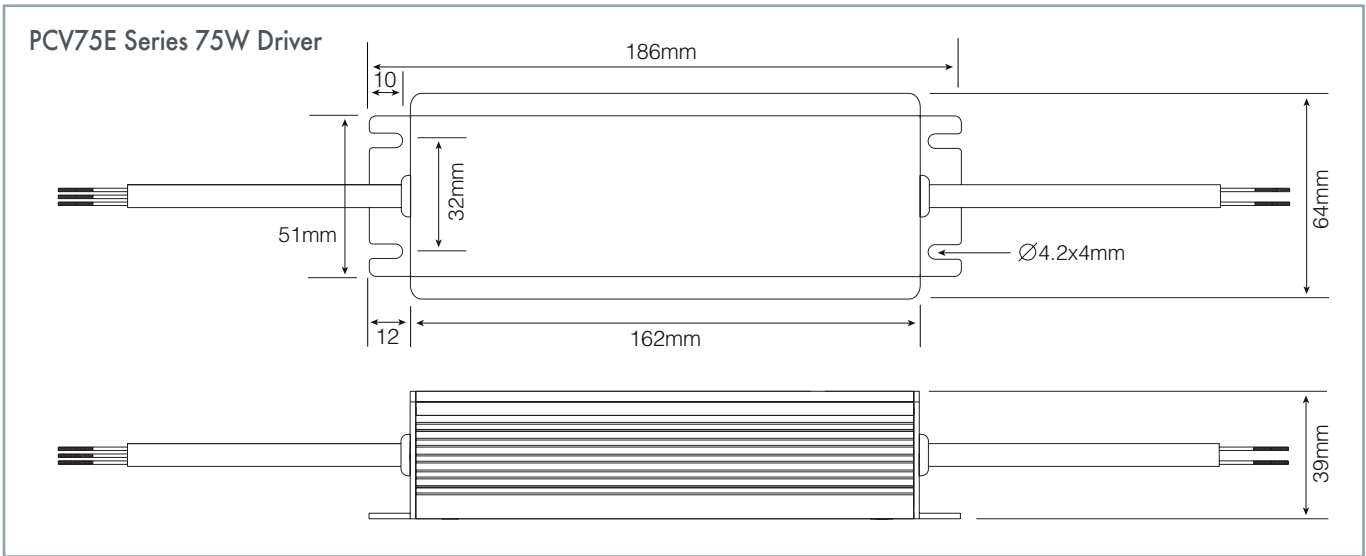
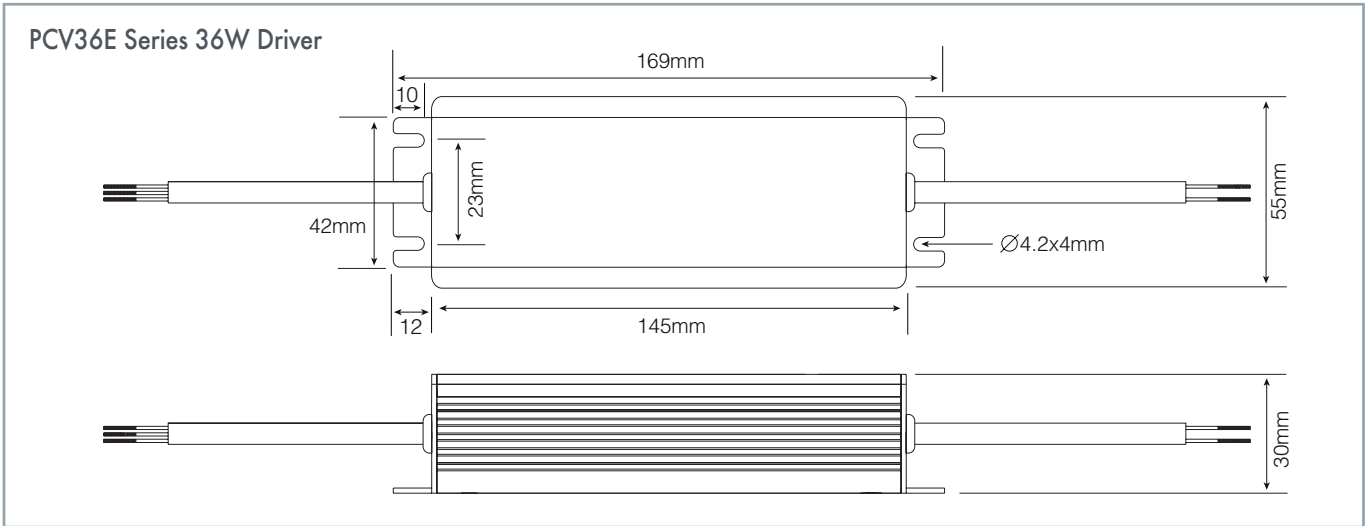
PCV36E Series - 36W IP67 LED Drivers

Part Code	PCV1236E	PCV2436E
Input Voltage	100 ~ 240VAC	100 ~ 240VAC
Input Frequency	47/63Hz	47/63Hz
Power Factor	0.95	0.95
Power	36W	36W
Voltage	12Vdc	24Vdc
Current Range	0 ~ 3A	0 ~ 1.5A
Efficiency	82%	84%
Connections (input)	300mm UL SVT 3C 18AWG	300mm UL SVT 3C 18AWG
Connections (output)	300mm UL SVT 2C 18AWG	300mm UL SVT 2C 18AWG
Weight	480g	480g
Dimensions	169 x 55 x 30mm	



PCV75E Series - 75W IP67 LED Drivers

Part Code	PCV1275E	PCV2475E
Input Voltage	100 ~ 240VAC	100 ~ 240VAC
Input Frequency	47/63Hz	47/63Hz
Power Factor	0.95	0.95
Power	75W	75W
Voltage	12Vdc	24V
Current Range	0 ~ 6.25	0 ~ 3.15A
Efficiency	85%	85%
Connections (input)	300mm UL SVT 3C 18AWG	300mm UL SVT 3C 18AWG
Connections (output)	300mm UL SVT 2C 18AWG	300mm UL SVT 2C 18AWG
Weight	780g	780g
Dimensions	186 x 64 x 39mm	



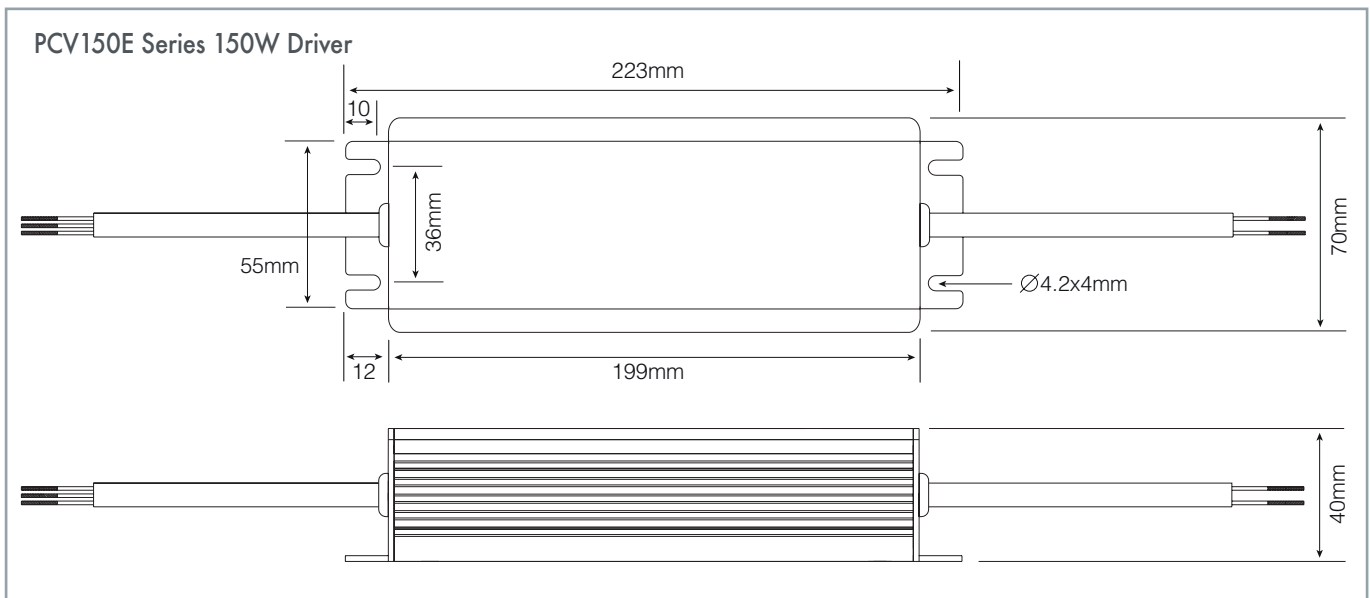
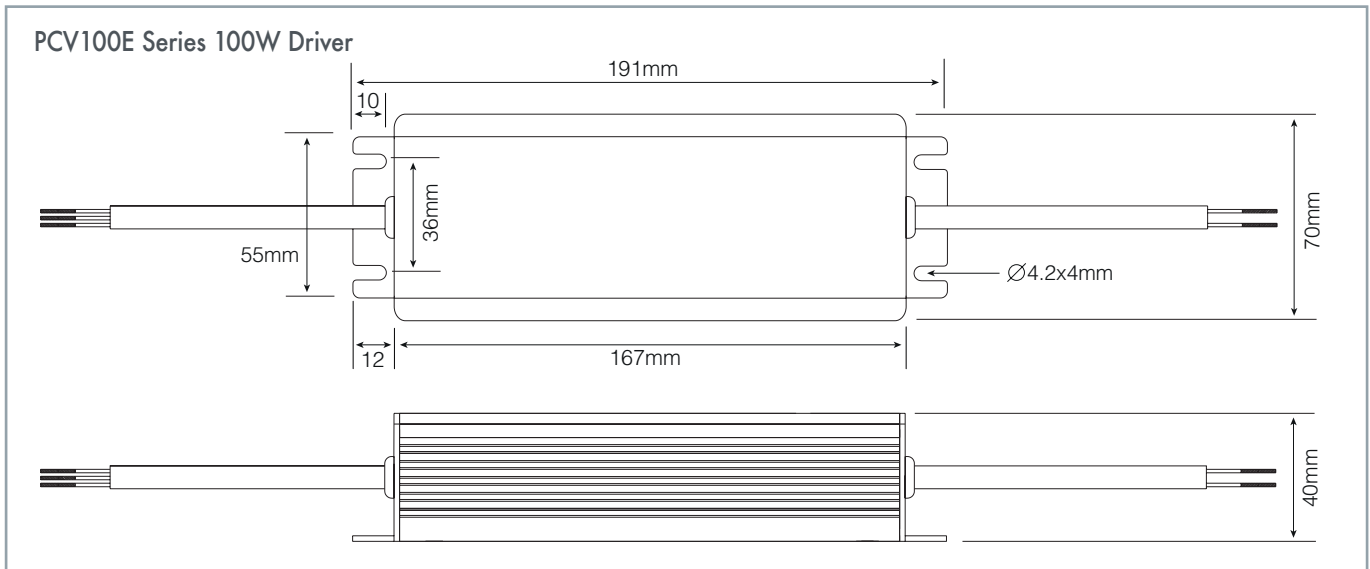
PCV100E Series - 100W IP67 LED Drivers

Part Code	PCV12100E	PCV24100E
Input Voltage	220 ~ 240VAC	220 ~ 240VAC
Input Frequency	47/63Hz	47/63Hz
Power Factor	0.95	0.95
Power	100W	100W
Voltage	12Vdc	24Vdc
Current Range	0 ~ 8.4A	0 ~ 4.2A
Efficiency	90%	90%
Connections (input)	300mm UL SVT 3C 18AWG	
Connections (output)	300mm UL SVT 2C 18AWG	
Weight	780g	780g
Dimensions	191 x 70 x 40mm	



PCV150E Series - 150W IP67 LED Drivers

Part Code	PCV12150E	PCV24150E
Input Voltage	100 ~ 240VAC	100 ~ 240VAC
Input Frequency	47/63Hz	47/63Hz
Power Factor	0.95	0.95
Power	150W	150W
Voltage	12Vdc	24Vdc
Current Range	0 ~ 12.5A	0 ~ 6.3A
Efficiency	90%	90%
Connections (input)	300mm UL SVT 3C 18AWG	
Connections (output)	300mm UL 2517 2C 14AWG	
Weight	1000g	1000g
Dimensions	223 x 70 x 40mm	



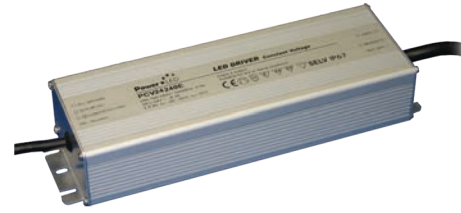
PCV200E Series - 200W IP67 LED Drivers

Part Code	PCV12200E	PCV24200E
Input Voltage	220 ~ 240VAC	220~240VAC
Input Frequency	47/63Hz	47/63Hz
Power Factor	0.95	0.95
Power	200W	200W
Voltage	12Vdc	24Vdc
Current Range	0 ~ 16.8A	0 ~ 8.4A
Efficiency	91%	93%
Connections (input)	300mm UL SVT 3C 18AWG	
Connections (output)	300mm UL 2517 2C 14AWG	
Weight	1000g	1000g
Dimensions	249 x 70 x 40mm	

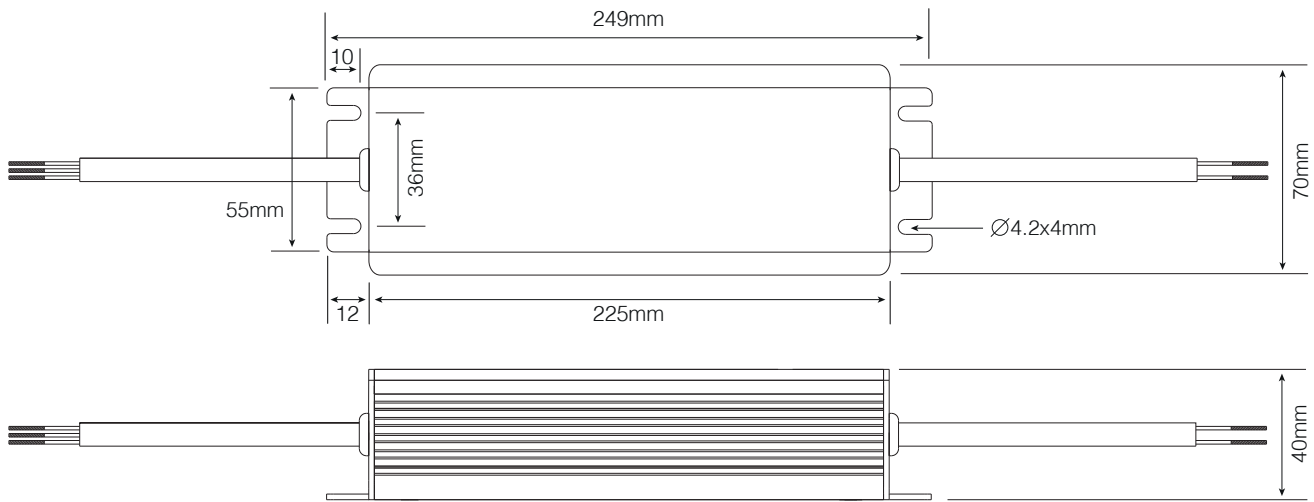


PCV240E Series - 240W IP67 LED Drivers

Part Code	PCV12240E	PCV24240E
Input Voltage	100 ~ 240VAC	100 ~ 240VAC
Input Frequency	47/63Hz	47/63Hz
Power Factor	0.95	0.95
Power	192W	240W
Voltage	12Vdc	24Vdc
Current Range	0 ~ 16A	0 ~ 10A
Efficiency	91%	93%
Connections (input)	300mm UL SVT 3C 18AWG	
Connections (output)	300mm UL 2517 2C 14AWG	
Weight	1100g	1100g
Dimensions	249 x 70 x 40mm	



PCV200E Series 200W Driver



PCV240E Series 240W Driver

