

# Lighting Accessories - ICON Waterproof Connectors

Designed for use for terminating LED connections; our new range of IP68 ICON waterproof connectors provide easy, effective installation for LED lighting in areas requiring high ingress protection levels in water environments.



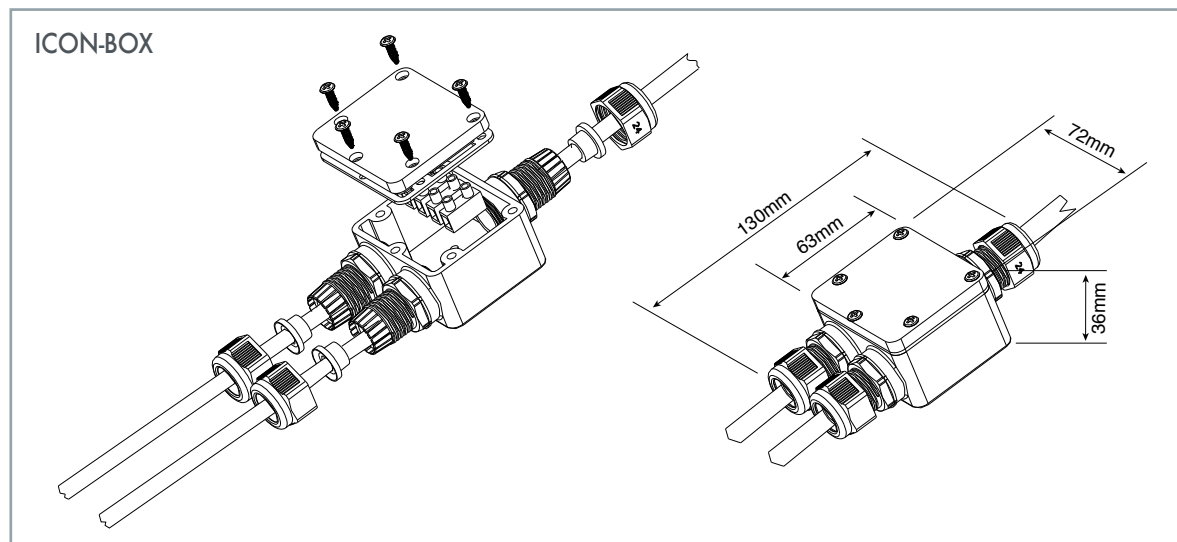
ICON-BOX

## Product Features

- ★ Designed for use in areas requiring high ingress protection
- ★ IP68 at 2 bar
- ★ Wire Cable Specification ~  $\varnothing 5\text{mm}$  (min) /  $\varnothing 14\text{mm}$  (max)
- ★ Termination: Screw fitting
- ★ 3 years warranty

## ICON Waterproof Junction Box ~ With terminal block 5 poles

Part Code	ICON-BOX
Fitting Colour	Black/Clear
Housing	Polyamide PA66, UL94-V0
Sealing Gasket	Silicon
Contact	Copper, Nickel Plated
Technical	250V, PTI 250, T85
Dimensions	72 x 63 x 36mm (overall length ~ 130mm)



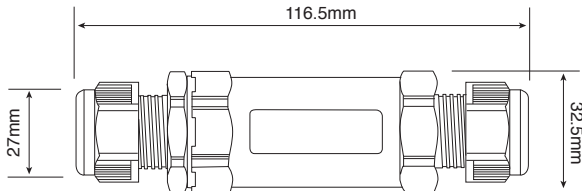
## ICON Waterproof Connector ~ 2 Way

Model Number	ICON-THRU	ICON-THRU-3
Fitting Colour	Black	Black
Housing	Polyamide PA66, UL94-V0	Polyamide PA66, UL94-V0
Sealing Gasket	Silicon	Silicon
Contact	Copper, Nickel Plated	Copper, Nickel Plated
Technical	450V, PTI 250, T85	450V, PTI 250, T85
Blocks	5 Pole	3 Pole
Dimensions	116.5 x 32.5mm	81 x 24mm

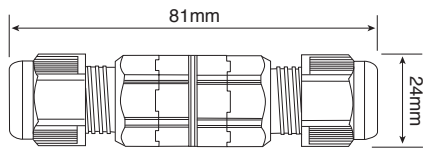


ICON-THRU-3

ICON-THRU



ICON-THRU-3



ICON-THRU

## ICON Waterproof Connector ~ 3 Way 3~5 Pole

Model Number	ICON-TEE
Fitting Colour	Black
Housing	Polyamide PA66, UL94-V0
Sealing Gasket	Silicon
Contact	Copper, Nickel Plated
Technical	250~450V, PTI 250, T85
Dimensions	116.5 x 90mm



ICON-TEE

ICON-THRU

