

Commercial LED Lighting - MINIZ



The MINIZ downlight range of 7W and 9W LEDs offer up to 750lm, suitable for operation with most leading and trailing edge dimmers.

Product Features

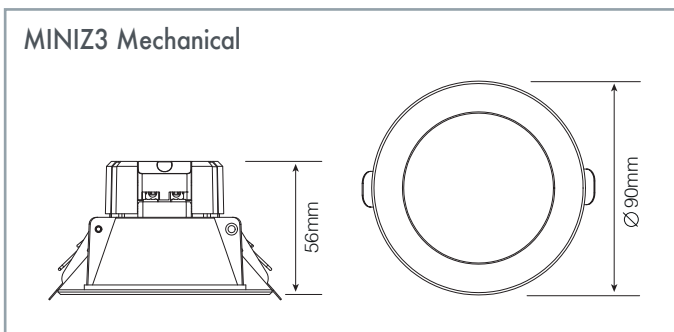
- ★ Bright lumen output, low glare
- ★ High efficiency LED chip and reflector system
- ★ Suitable for operation with leading edge & trailing edge mains dimmers
- ★ Energy savings of 85% & low maintenance costs
- ★ Built in LED driver for easier termination.
- ★ Long life - 50k hours
- ★ 90° beam angle

MINIZ3

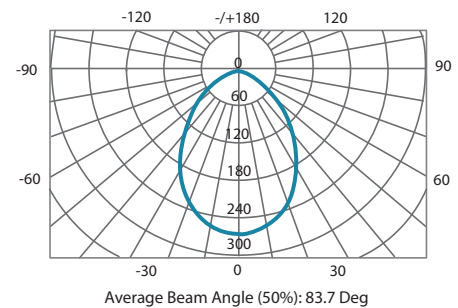
Model Number	MINIZ3-7W3K-W	MINIZ3-7W4K-W
Fitting Colour	White	White
Driver AC Input	220 ~ 240V	220 ~ 240V
Power	7W	7W
Lumens	550lm	550lm
IP	IP44	IP44
CRI	82	82
Colour	3000K	4000K
Beam Angle	90°	90°
Working Temperature	-30°C ~ +40°C	-30°C ~ +40°C
Weight	120g	120g
Dimensions	∅ 90 x 56mm	∅ 90 x 56mm



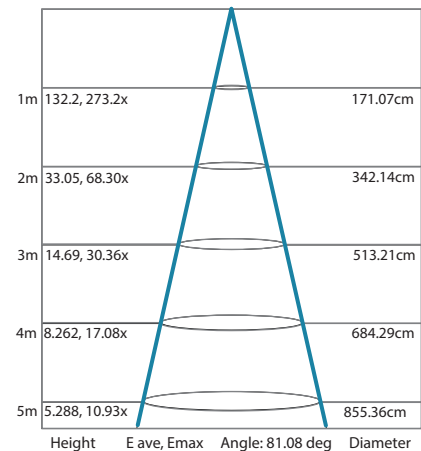
MINIZ3 Mechanical



MINIZ3 Luminance Distribution



Flux out: 313.8lm



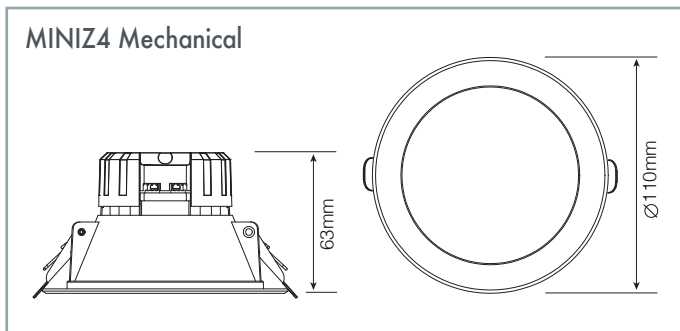
Commercial LED Lighting - MINIZ

MINIZ4

Model Number	MINIZ4-9W3K-W	MINIZ4-9W4K-W
Fitting Colour	White	White
Driver AC Input	220 ~ 240V	220 ~ 240V
Power	9W	9W
Lumens	750lm	750lm
IP	IP44	IP44
CRI	82	82
Colour	3000K	4000K
Beam Angle	90°	90°
Working Temperature	-30°C ~ +40°C	-30°C ~ +40°C
Weight	135g	135g
Dimensions	Ø110 x 63mm	Ø110 x 63mm

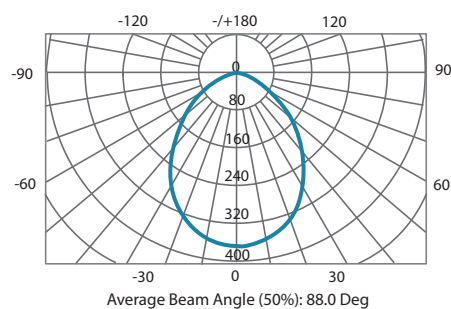


MINIZ4 Mechanical



Optional clip on satin nickel trim is available for the MINIZ4.

MINIZ4 Luminance Distribution



Flux out: 449.5lm

