

MWH-V08-BP Series is a range of 80W IP67 Rated Constant Voltage LED Lighting Power Supplies with wide range input voltage of 90-305V, built in active PFC, constant current level adjustment and dimming function. Suitable for applications susceptible to dust or water ingress conditions.

- IP67 design for indoor or outdoor installation
- 1-10Vdc, PWM signal or resistor dimming function
- OCP point adjustable through output cable
- Convection Cooled
- Short circuit, over load, over voltage & over temperature protections
- 5 years warranty for approved applications

Applications

- LED street lighting
- LED signs
- Architectural Lighting
- LED Decorative Lighting
- Outdoor LED Lighting
- Indoor LED Lighting

80W Single Output IP67 Rated LED Lighting Power Supply

★ Specification

IP Rating	IP67	
Input Voltage	90-305V	
Input Frequency	47Hz to 63Hz	
Input Current	0.85A/115Vac	0.425A/230Vac 0.4/277Vac
Leakage Current	<0.75mA/277Vac	
Power Factor	≥0.96/230VAC	≥0.96/115Vac ≥0.9/60~100% load
Set Up Time	2000ms	

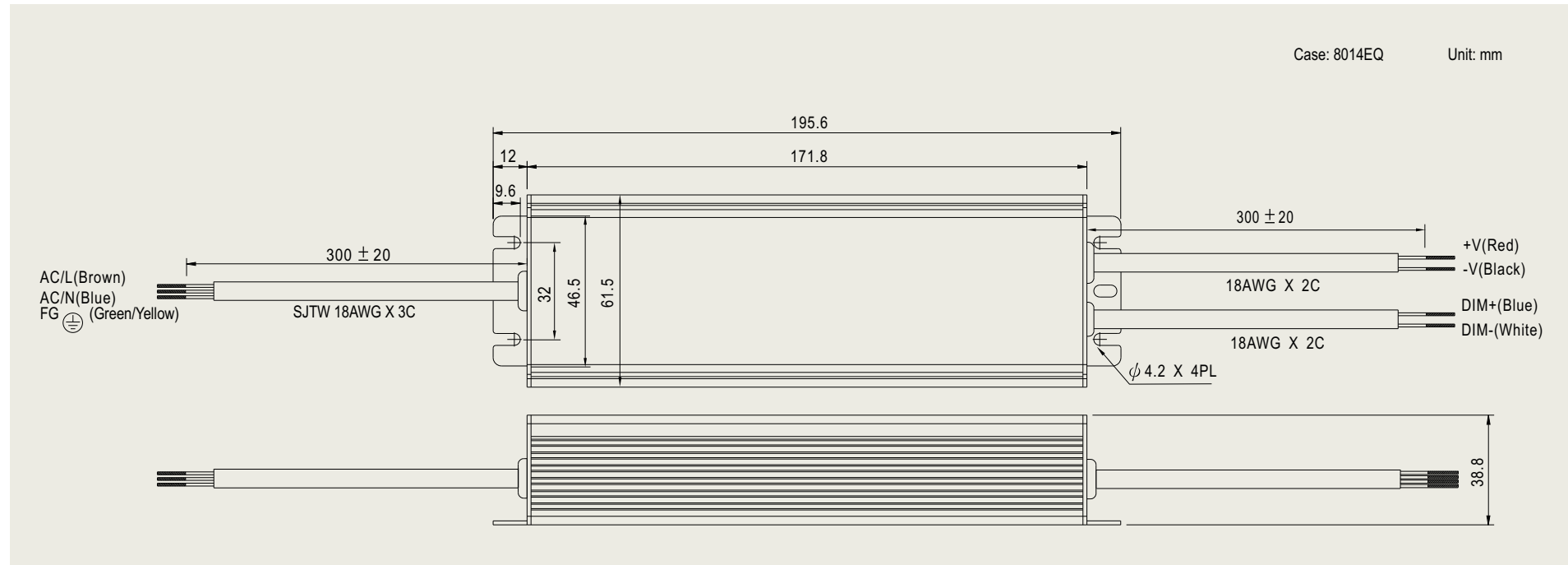
Dimming	1-10Vdc, 10V PWM signal or resistor connection
Over Current Protection	95~108%
Over Temperature Protection	85°C ±10°C (RTH2)
Operating Temperature	-40°C to +60°C
Storage Temperature	-40°C to +80°C
MTBF	357.8K hours min 25°C (MIL-HDBK-217F)
Safety Standards	Designed to meet UL8750, EN61347-1/EN61347-2-13

EMI Standards	Meets Emissions to EN 55105, EN61547
Dimensions	L195.6 x W61.5 x H38.8 mm (Case:)
Weight	840g
Input Connections	3 core cable SJTW 18AWG Brown & blue & green/yellow (L=300mm)
Output Connections	2 core cable 18AWG L=300mm Black & red output Blue & White dimming



80W Single Output IP67 Rated LED Lighting Power Supply

★ Mechanical Drawing



Part number	Voltage	Voltage Adj. Range	R&N	Voltage Tol.	Constant Current Region	Rated Current	Current Adj. Range	Power	Eff.	OVP
MWH-V08C-BP	12V	10.8 ~ 13.5V	150mV	±2.5%	7.2 ~ 12V	5A	3 ~ 5A	60W	88%	14 - 17V
MWH-V08D-BP	15V	13.5 ~ 17V	150mV	±2.0%	9 ~ 15V	5A	3 ~ 5A	75W	89%	18 - 21V
MWH-V08F-BP	20V	17 ~ 22V	150mV	±1.0%	12 ~ 20V	4A	2.4 ~ 4A	80W	90%	23 - 27V
MWH-V08G-BP	24V	22 ~ 27V	150mV	±1.0%	14.4 ~ 24V	3.4A	2.04 ~ 3.4A	81.6W	90.5%	28 - 32V
MWH-V08J-BP	30V	27 ~ 33V	200mV	±1.0%	18 ~ 30V	2.7A	1.62 ~ 2.7A	81W	91%	34 - 38V
MWH-V08K-BP	36V	33 ~ 40V	200mV	±1.0%	21.6 ~ 36V	2.3A	1.38 ~ 2.3A	82.8W	91%	41 - 46V
MWH-V08L-BP	42V	38 ~ 46V	200mV	±1.0%	25.2 ~ 42V	1.95A	1.17 ~ 1.95A	81.9W	91%	47 - 53V
MWH-V08M-BP	48V	43 ~ 53V	200mV	±1.0%	28.8 ~ 48V	1.7A	1.02 ~ 1.7A	81.6W	91%	54 - 60V
MWH-V08N-BP	54V	49 ~ 58V	200mV	±1.0%	32.4 ~ 54V	1.5A	0.9 ~ 1.5A	81W	91%	59 - 65V