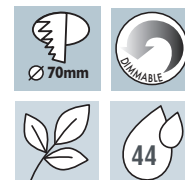


MINIZ3 LED DOWN LIGHT 7W ~ 3" 78lm/W



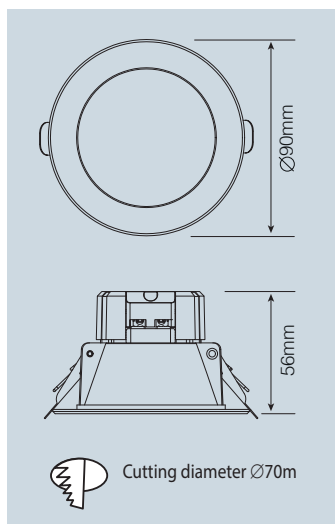
- Bright lumen output, low glare
- High efficiency LED chip and reflector system
- Internal dimmable driver included compatible with leading edge & trailing edge dimmer
- Energy savings of 85% & low maintenance costs
- Anodised aluminium heat sink
- Long life - 50k hours
- 90° beam angle



MINIZ ~ 3" Specification

Model Number	MINIZ3-7W3K-W	MINIZ3-7W4K-W
Fitting Colour	White	White
Driver AC Input	220 ~ 240V	220 ~ 240V
Power	7W	7W
Lumens	550lm	550lm
Colour (K)	3000	4000
Lumen Field Angle	90°	
Working Temperature	-30°C ~ +40°C	
CRI	82	
Weight	120g	
Dimensions	Ø90 x 56mm	

Mechanical Diagram



Photometrics

