

PIR700



WALL MOUNT PIR SENSOR



Key Features:

- LED flood light compatible up to 300 Watts
- 180° coverage with up to 12 meter detection
- Adjustable Time delay
- Adjustable Ambient light level
- Prismatic lens ensures high sensitivity for accurate motion detection
- Automatically adjusts to temperature changes keeping sensitivity and coverage consistent
- Built in surge protection
- IP44 rated; suitable for interior or exterior use

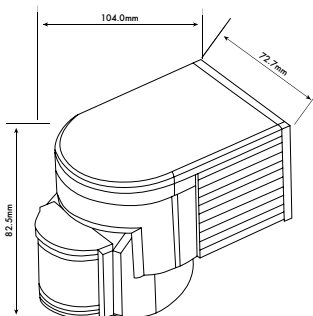
The PIR700 external motion sensor from PowerLed is a PIR sensor specifically suited to applications involving the control of LED Floodlights and associated lighting technology, with its advanced lighting control circuits, it ensures that LED floodlights are controlled safely and reliably.

PIR700 SPECIFICATION

Part Number	PIR700B	PIR700W
Fitting Colour	Black	White
Voltage	220-240 VAC, 50 Hz	220-240 VAC, 50 Hz
Maximum Wattage	>300 watt LED load, >300 Watt CFL, 1200 Filament	>300 watt LED load, >300 Watt CFL, >1200 Filament
Sensing Technology	Passive Infrared (PIR)	Passive Infrared (PIR)
Time Delay Setting	10 seconds (± 3 sec) to 7 minutes (± 2 Mins) (Adjustable)	10seconds (± 3) to 7 minutes (± 2 Mins) (Adjustable)
Mounting	Wall	Wall
Light Level Setting	3 - 2000 lux	3 - 2000 lux
Environment	-20°C to +40°C	-20°C to +40°C
Coverage	180°, up to 12m (<24°C)	180°, up to 12m (<24°C)
Recommended mounting Height	1.8 ~ 2.50	1.8 ~ 2.50
Sensors	Infrared pyroelectric detectors	Infrared pyroelectric detectors
Detection Motion Speed	0.6 ~ 1.5m/s	0.6 ~ 1.5m/s
Lens Design	Prismatic	Prismatic
Detection Range	12M	12M
Weight	0.16kgs	0.16kgs
Dimensions	72.7 x 104 x 82.5mm	72.7 x 104 x 82.5mm

Mechanical Diagrams

PIR700



PowerLed (UK) Ltd
Orion House
Calleva Park
Aldermaston
Berkshire
RG7 8SN

Contact:
Tel: 0118 9703856
enquiries@powerled.uk.com
www.powerled.uk.com

