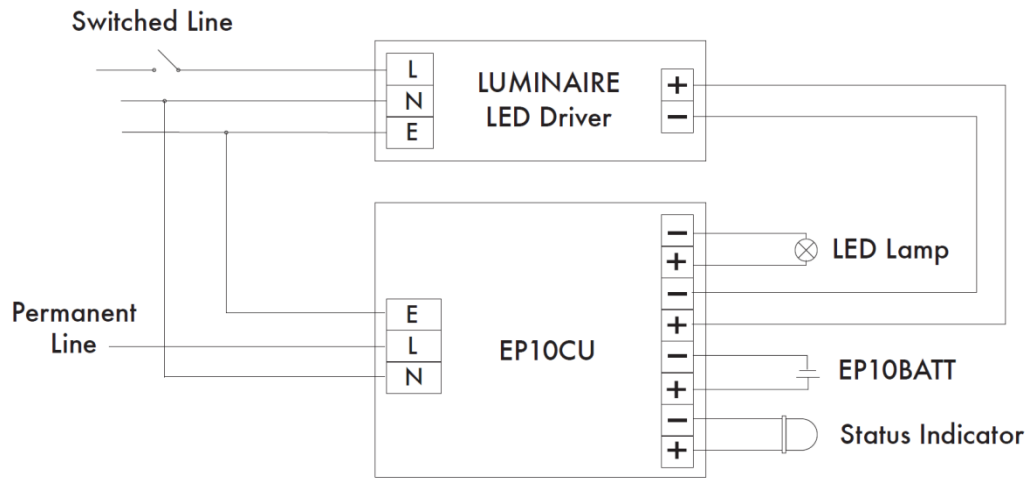


3. Connecting EP10 Emergency Kit



Undo the 2 retaining screws and open the cover to the EP10 Kit (Fig 1.) and connect the battery cables (Fig 2.), replace the cover and secure.



Fig 1



Fig 2