

# EP3KIT-REV-A



## 4W NON-MAINTAINED LED EMERGENCY KIT



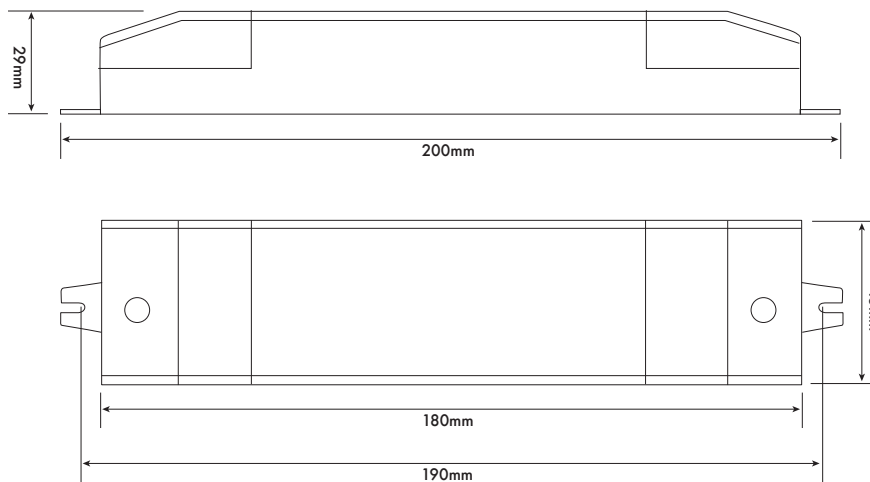
### Key Features:

- Intelligent automatic recharging function
- Automatic output current adjustment
- Constant current mode
- Wide range LED voltage 6-60V
- 3 hour emergency operation
- LED charge status display
- Deep discharge protection
- Test switch with self-test function
- Built-in compact design
- Suitable for LED luminaire with external driver
- Non-maintained LED emergency kit
- Uses 3hr battery

### EP3KIT-REV-A SPECIFICATION

Part Code	EP3KIT-REV-A
Voltage	220~240VAC
Frequency	50~60 Hz
Power	4W
Current	40mA
Power Factor	0.5
Charge Current (Typ.)	200mA
Recharge Hours	20hrs
EM LED Current	400~40mA
EM LED Voltage	6~60V (2-20 LEDs)
EM LED Power	3.0W
Ambient Temperature	25~+50°C
Max Casing Temperature	70°C
Battery Type	Ni-Cd 3.6V 4Ah
Weight	184g

### EP3KITCU Mechanical Diagram



PowerLed (UK) Ltd  
Orion House  
Calleva Park  
Aldermaston  
Berkshire  
RG7 8SN

Contact:  
Tel: 0118 9703856  
enquiries@powerled.uk.com  
www.powerled.uk.com

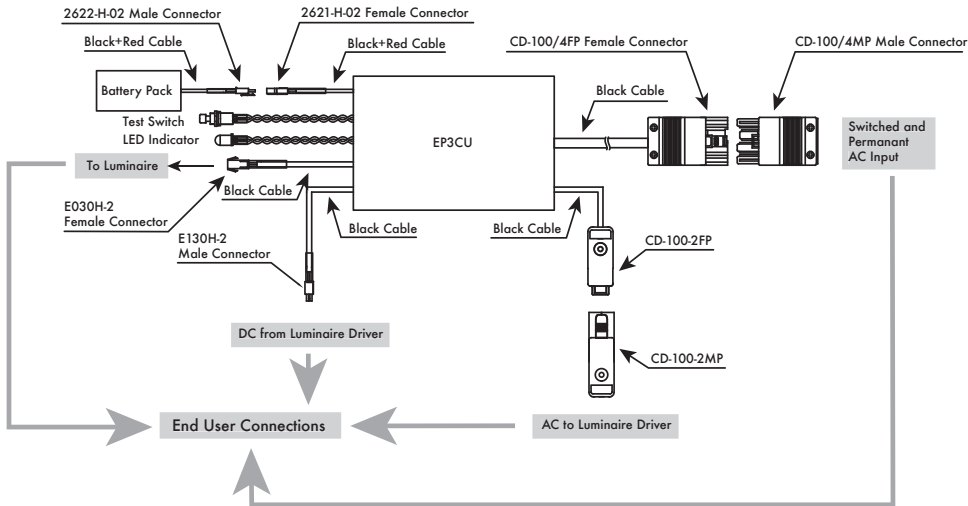




# EP3KIT-REV-A

## 4W NON-MAINTAINED LED EMERGENCY KIT

### Wiring Diagram

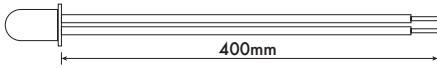


### Status Indication LED

Mounting hole 6.5mm dia

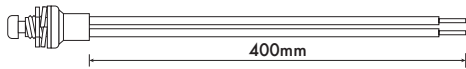
Type  
Green LED

Lead Length  
400mm



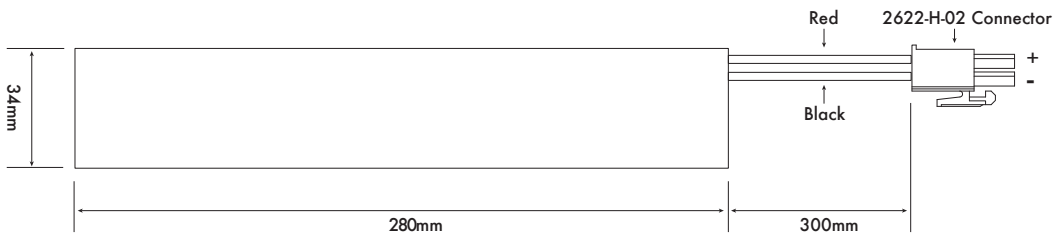
### Test Switch

Mounting hole 7mm dia



### Battery Diagram

EP3KITBAT



PowerLed (UK) Ltd  
Orion House  
Calleva Park  
Aldermaston  
Berkshire  
RG7 8SN

Contact:  
Tel: 0118 9703856  
enquiries@powerled.uk.com  
www.powerled.uk.com

