

D350S Dimmer Switch



TRAILING EDGE DIMMER SWITCH



Key Features:

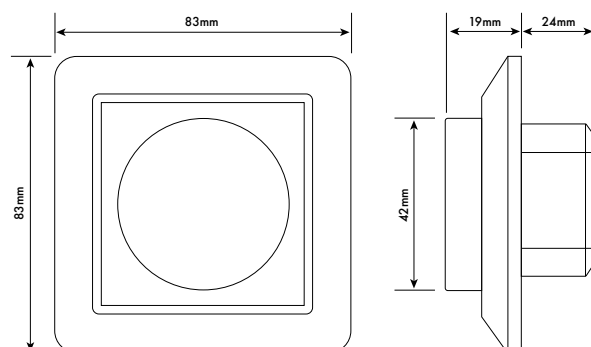
- Trailing edge dimming
- No neutral required
- Soft start
- Suitable for 1-way or 2-way operation
- Overheating protection
- Smooth dimming compatible with most LED luminaires

D350S DIMMER SWITCH SPECIFICATION

Part Code	D350S
Voltage	220~240VAC
Frequency	50Hz
Power	10-350W
Dimensions	W83 x H83 x D19mm



D350S Mechanical Diagram



PowerLed
Orion House
Calleva Park
Aldermaston
Berkshire
RG7 8SN

Contact:
Tel: 0118 9703856
enquiries@powerled.uk.com
www.powerled.uk.com

