

APC-8 Series

8W Single Output Switching Power Supply



Case: 8915FQ
60 x 30 x 22 mm

Features

- Constant Current Design
- Universal AC input / Full range
- Class II power unit, no FG
- Fully isolated plastic case
- IP42 design
- Small and compact size
- Cooling by free air convection
- Protections: Short circuit
- No load power consumption <0.5W
- 100% full load burn-in test
- Low cost, high reliability
- 2 years warranty

IP42

Specification

INPUT	Voltage	90 ~ 264VAC 127 ~ 370VDC			
	Frequency	47 ~ 63 Hz			
	AC Current	0.15A/230VAC 0.3A/115VAC			
	Inrush Current (Typ.)	Cold start 70A (twidth=120µs measured at 50% Ipeak) at 230VAC			
	Leakage Current	<0.25mA/240VAC			
	Efficiency	84%	83%	82%	80%
OUTPUT	MODEL No.	APC-8-250	APC-8-350	APC-8-500	APC-8-700
	Operating Voltage Range	16 ~ 32V	11 ~ 23V	8 ~ 16V	5 ~ 11V
	Rated Current	250mA	350mA	500mA	700mA
	Rated Power	8W	8.05W	8W	7.7W
	Ripple & Noise	350mVp-p	300mVp-p	300mVp-p	250mVp-p
	No Load Output Voltage	38V	29V	24V	17V
	Current Accuracy	±5.0%			
	Setup Rise Time	500ms, 180ms/230VAC 300ms, 150ms/115VAC at full load			
	Hold Up Time	20ms/230VAC at full load			
	PROTECTION	Short Circuit	Hiccup mode, recovers automatically after fault condition is removed		
ENVIRONMENT	Working Temperature	-30 ~ +70 °C (Refer to "Derating Curve")			
	Working Humidity	20 ~ 90% RH non-condensing			
	Storage Temp., humidity	-40 ~ +80 °C, 10 ~ 95%RH			
	Temp Coefficient	±0.2%/°C (0 ~ 45°C)			
	Vibration	10 ~ 500Hz, 2G 10 min./1cycle, period for 60 min. each along X, Y, Z axes			
SAFETY & EMC	Safety Standards	UL8750, CSA C22.2 No.250.0-08 approved, design refers to EN60950-1, EN61347-1, EN61347-2-13			
	Withstand Voltage	I/P-O/P:3.75VAC			
	Isolation Resistance	I/P-O/P: >100M Ohms/500VDC/25°C/70% RH			
	EMC Emission	Compliance to EN55022, EN61000-3-2 Class A, EN61000-3-3			
	EMC Immunity	Compliance to EN55024, EN61000-4-2,3,4,5,6,8,11; light industry level (Surge 2KV), criteria A			
OTHERS	M.T.B.F.	2275.8Khrs min. MIL-HDBK-217F (25°C)			
	Packing	0.09Kg;144pcs/14Kg/0.71CUFT			

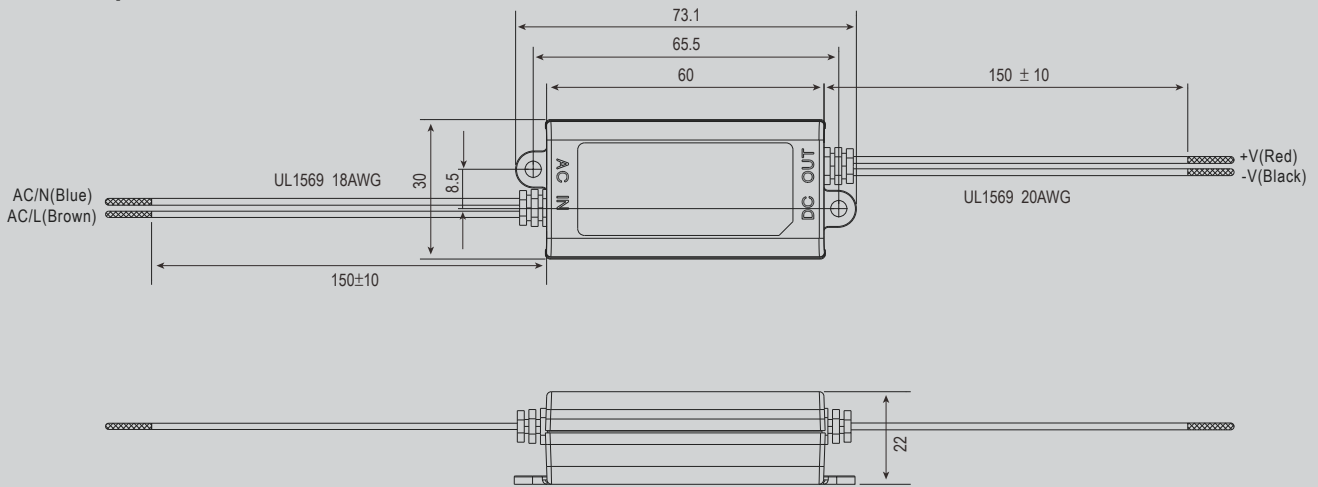
1. All parameters NOT specially mentioned are measured at 230VAC input, rated load and 25 °C of ambient temperature.
2. Ripple and noise are measured at 20MHz of bandwidth by using a 12" twisted pair-wire terminated with a 0.1µf & 47µf parallel capacitor.
4. Derating may be needed under low input voltage. Please check the static characteristics for more details.
5. Constant current operation region is within 50% ~ 100% rated output voltage. This is the suitable operation for LED related applications, but please reconfirm special electrical requirements for some specific system design.
6. When applying DC voltage for input, please connect the brown wire to the positive and the blue input wire to the negative side.
7. The unit might not be suitable for lighting applications in EU countries. Please check with your local authorities for the possible use of this unit.

APC-8 Series

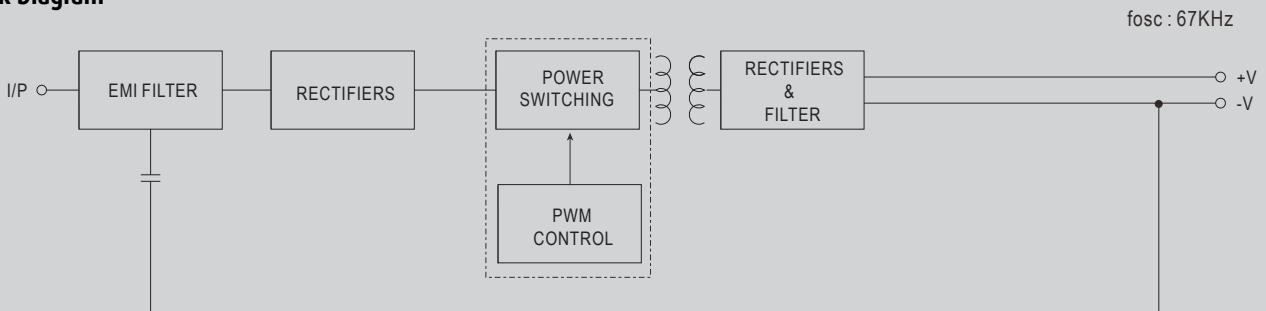
8W Single Output Switching Power Supply



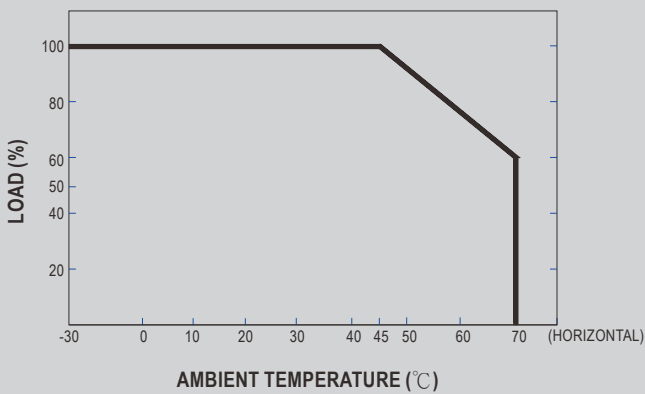
Mechanical Specification



Block Diagram



Derating Curve



Static Characteristics

